



EUFFICIO

When Electric & Design emerge





"We listen, observe, understand, empathize and imagine  
for creating products that enable make the visible invisible"

Marcus Friedrichs

**Elegant & Prestige**

Our Designed power stations  
improve your surroundings to  
be neat and Prestige in any  
place you desire.

 EUFFICIO  
*Engineered  
in Germany*





## Solutions

eufficio Guarantee top modern designed Power & Data stations with practical functions that promise great performance with easy connection. Our power station is being used in variety of configuration: offices hotels, restaurants, call centers, cafes, kitchens, halls, waiting rooms, meeting rooms and so on.



On desk



In desk



Under desk



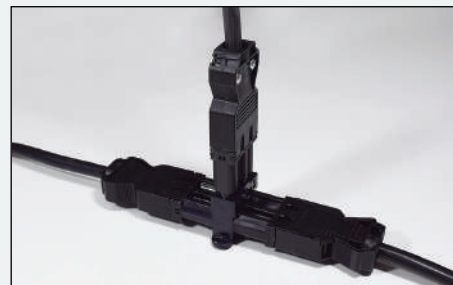
Distribution



On the wall



In the barrier / panel



Cables & Connectors



Components & Accessories



Customize your item




Power Distribution Units



Seating



Cables pass-through

 Engineered in Germany

  
Design & Electric



### Always innovative:

We plan, we research & we coordinate each of our steps through development process implementing top technology in our work stations, promising technological advantages to our end users

### Modern Art:

We merge art into technology by hiring painters & sculptors to be part of our R&D team to ensure artistic values to our power stations for touching the Basic human instincts of harmony, balance & rhythm.

### Make it comfort:

We hire ergonomics specialists to assure optimal interaction between each of our power stations and the people who use them for better human comfort, health and performance during usage.

### Fit for any furniture:

You can simply place our product in your furniture, conference hall, desk, table, kitchen sofa and many other. In addition to that, no skills or prior experience is needed in installing and using it. This is the reason why our products are preferred in high tech companies and offices.

### Easy to install:

No need to be Electrician to install the power station. By the modular design and by the usage of GST connectors, the products can be installed and connected to power easily without the need of professional.

[www.eufficio.com](http://www.eufficio.com)





## Innera Torre

Innera Torre is a perfect power & charge station.

The Innera Torre is perfect to be part of every surrounding: kitchens, offices, airports, meeting rooms, convention halls, call centres, restaurants, hotels, labs, hospitals and more.

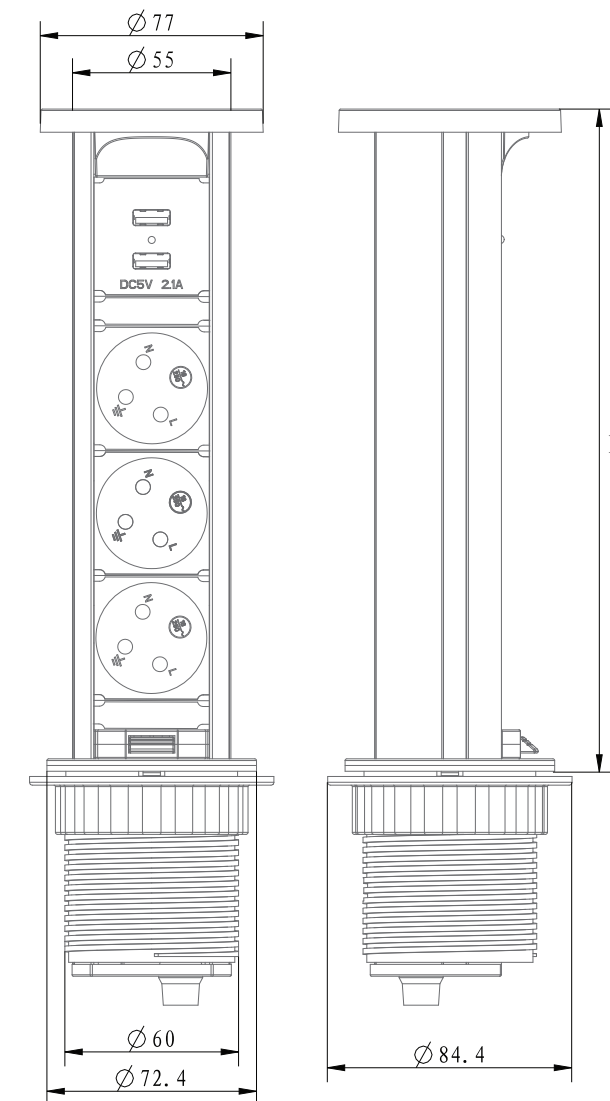
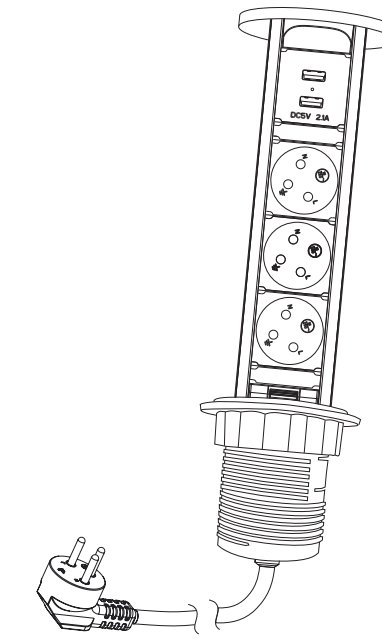
## Innera Torre

3 IL sockets and double 2.4A USB charger

### Installation configurations:

#### In Desk /In Table

it mainly being placed in personal desk, in meeting room table, conference tables, podiums or any work surface, hosting surface and more.



Catalog No	Model	Description	Cut Hole Ø mm	Height (H) mm
0769978902012	IT-43C	3 IL sockets and double 2.4A USB charger	60	228

### Power & Temperature:

Operating voltage: 230VAC 50VHz  
Maximum current: 16A  
Work Temperature: up to 45°C

### Structure & color:

Round & Compact, Innera Torre is a unique solution with high grade properties, promising long life expectation. Innera Torre is black mat. Custom colors available on demand - minimum order will be required.  
Materials: PC.

### Modules & combination:

The Innera Torre comes with three power socket and with double smart Quick Charging USB socket 2.4A.

### Cable and connection to power:

The Innera Torre is supplied with 3 meter cable (HO5VV-F 3x1.5mm<sup>2</sup>) with with israeli plug.

**Testing:** 100% testing continuity, polarity, insulation & earth

**Certification:** SII test certification

**Warranty:** 3 years Warranty by German registered company

**Installation:** Power drill and hole cutter required, Please read the installation instruction prior to installation.

**Packing:** each item in a box



Closed mode



IT-43C



## Exterio Telaio

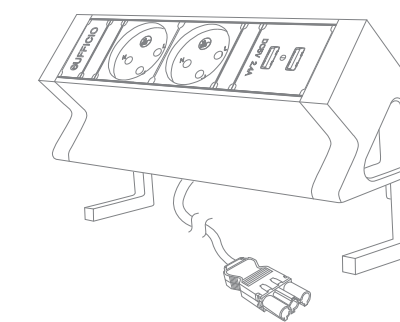
Exterio Telaio is a best seller product, provide an elegant but also efficient solution for easy and immediate access to power, charge, data and Telecom connections with very easy installation method. The Exterio Telaio is perfect to be part of every surrounding from offices, meeting rooms, convention halls ,call centres, restaurants, hotels, labs, hospitals and many more.

## Exterio Telaio

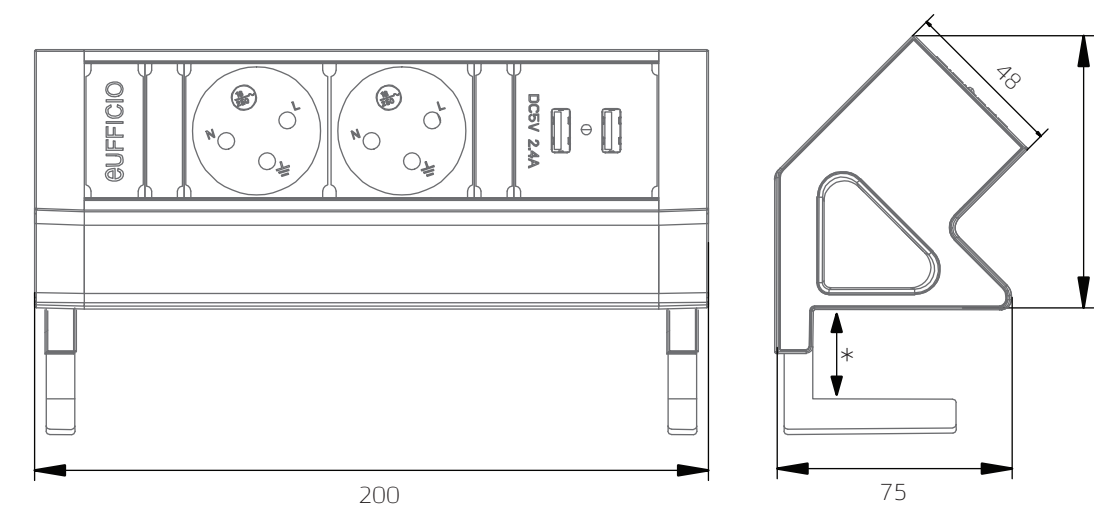
### Installation configurations:

On Desk /On Table

it mainly being placed as desktop power station on personal desk, meeting room table, conference tables, podiums or any work surface, hosting surface and more.



Drawing for illustration: ET-32C



\* The product is suitable for surface 7 mm - 53 mm.

Catalog No	Model	Description	Color	Length (L) mm	Width (W) mm	Height (H) mm
0727363258120	ET-32C	2 IL sockets & 2.4A USB Charge	Black	200	75	48
0727363258113	ET-32C	2 IL sockets & 2.4A USB Charge	White	200	75	48

### Power & Temperature:

Operating voltage: 230VAC 50VHz  
Maximum current: 16A  
Work Temperature: up to 70°C

### Structure & color:

The Exterio Telaio is with Slim, minimalistic structure but also solid and durable, you will find Exterio Telaio is reliable unit with long life expectation. The Exterio Telaio available in Fully Black or Fully White colors.

Custom colors available on demand - minimum order will be required.

Materials: cover - aluminium, sockets - PC.

### Modules & combination:

The Exterio Telaio can be configured with a combination of power charging, data, communication, or any other Keystone system component.

### Cable and connection to power:

The Exterio Telaio is supplied with 0.4 meter cable (HO5VV-F 3x1.5mm<sup>2</sup>) with male GST 18/3 connector. In order to connect the product to power you should buy the power cable separately.

**Testing:** 100% testing continuity, polarity, insulation & earth

**Certification:** SII test certification

**Warranty:** 3 years Warranty

by German registered company

**Installation:** Supplied with Build in Clamps for on Table side installation. Please read the installation instruction prior to installation.

**Packing:** each item in a box





## Exterio Vital

Exterio Vital is a best seller product, provide an elegant but also efficient solution for easy and immediate access to power, charge, data and Telecom connections with very easy installation method. The Exterio Vital is perfect to be part of every surrounding from offices, meeting rooms, convention halls, call centres, restaurants, hotels, labs, hospitals and many more.

## Exterio Vital

### Installation configurations:

#### On Desk /On Table

it mainly being placed as desktop power station on personal desk, meeting room table, conference tables, podiums or any work surface, hosting surface and more.

#### Under Desk /Under Table

In any requirement of Hidden power station beneath the surface with very easy installation procedure.

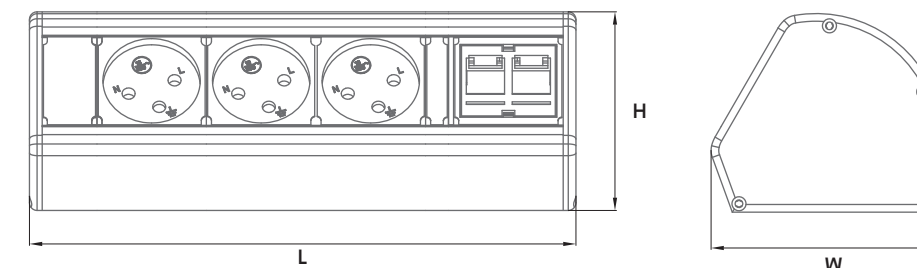
#### Seating

it can be Installed under seating systems such as sofas, couches, chairs, waiting benches, auditoriums, and more. providing great hidden solution with close & convenient access to power, charge, data and Telecom connections.

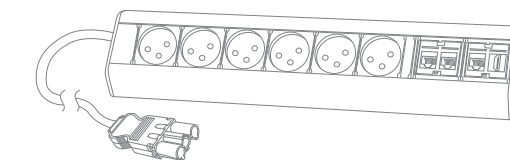
#### On Wall /In Wall

it can be mounted on walls, whenever power and data stations are required but with the wish of complete luxurious design.

Drawing for illustration: EV-43



Catalog No	Model	Description	Length (L) mm	Width (W) mm	Height (H) mm
0727363256850	EV-22	2 IL sockets	126	91	78
0769978898315	EV-33	3 IL sockets	169	91	78
0769978898322	EV-32	2 IL sockets & 2 keystones	171	91	78
0769978900803	EV-32C	2 IL sockets & 2.4A USB Charge	171	91	78
0769978898339	EV-44	4 IL sockets	212	91	78
0769978898346	EV-43	3 IL sockets & 2 keystones	214	91	78
0726811932179	EV-43C	3 IL sockets & 2.4A USB Charge	214	91	78
0726811931721	EV-42C	2 IL sockets, 2.4A USB Charge, 2 keystones	214	91	78
0769978898360	EV-55	5 IL sockets	255	91	78
0769978898377	EV-54	4 IL sockets & 2 keystones	257	91	78
0769978898407	EV-66	6 IL sockets	300	91	78
0769978898414	EV-65	5 IL sockets & 2 keystones	300	91	78
0769978898421	EV-64	4 IL sockets & 4 keystones	300	91	78
0726811931738	EV-63C	3 IL sockets, 2.4A USB Charge, 4 keystones	300	91	78
0769978898469	EV-87	7 IL sockets & 2 keystones	386	91	78
0769978898476	EV-86	6 IL sockets & 4 keystones	386	91	78
0769978898537	EV-1008	8 IL sockets & 4 keystones	472	91	78
0769978898544	EV-1007	7 IL sockets & 6 keystones	472	91	78



### Power & Temperature:

Operating voltage: 230VAC 50VHz  
Maximum current: 16A  
Work Temperature: up to 70°C

### Structure & color:

Compact, but with solid and durable structure, you will find Exterio Vital is reliable unit with long life expectation. Exterio Vital is available in Silver anodized frame - black sockets and end caps. Custom colors available on demand - minimum order will be required. Materials: cover - aluminium, sockets - PC.

### Modules & combination:

The Exterio Vital can be configured with a combination of power, data, communication, or any other Keystone system component.

### Cable and connection to power:

The Exterio Vital is supplied with 0.4 meter cable (HO5VV-F 3x1.5mm<sup>2</sup>) with male GST 18/3 connector. In order to connect the product to power you should buy the power cable separately.

**Testing:** 100% testing continuity, polarity, insulation & earth

**Certification:** SII test certification

**Warranty:** 3 years Warranty by German registered company

**Installation:** No Tools required, supplied with installation kit for attaching to a desired surface.

Please read the installation instruction prior to installation.

**Packing:** each item in a box



Exterio Vital EV-32C



Exterio Vital EV-42C



Exterio Vital EV-64





## Innera Pad Qi

Innera Pad Qi, a fancy in table by soft press mechanism. Getting immediate access to power and data while keeping high quality feel and modern sleek design.

The Innera Pad Qi ideal for meeting

## Innera PAD Qi

### Installation configurations:

#### In Desk /In Table

it mainly being placed in personal desk, in meeting room table, conference tables, podiums or any work surface, hosting surface and more.

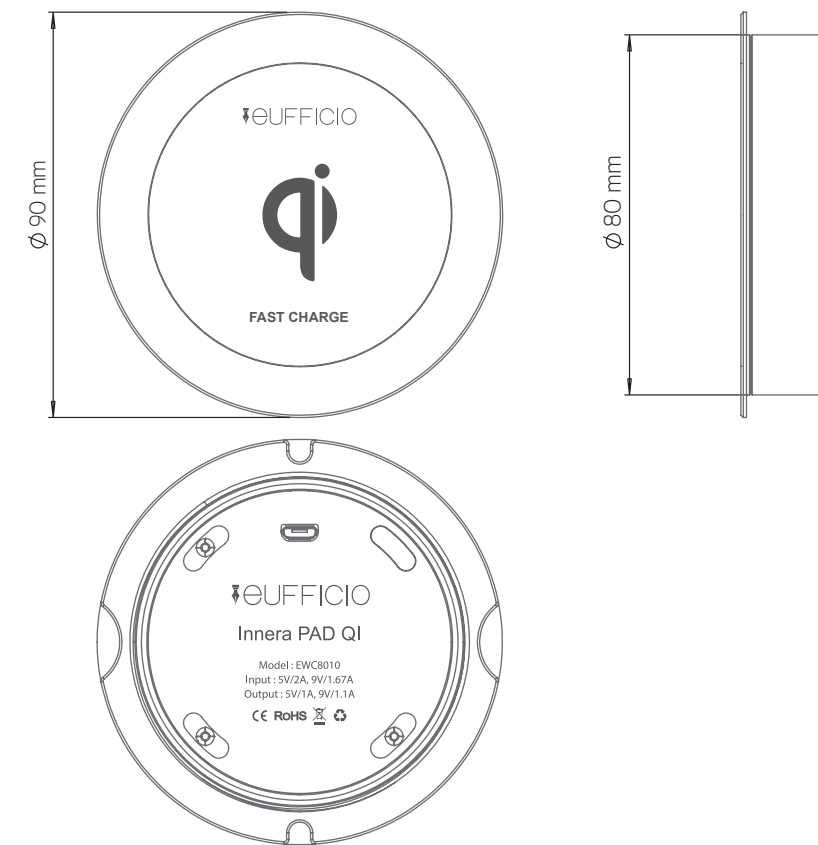
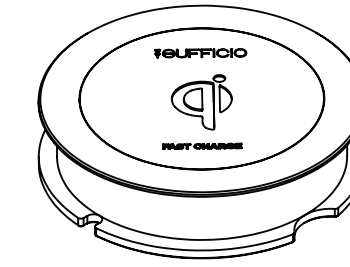
### Product description:

Innera PAD Qi is an stylish Wireless charger to be installed in any piece of furniture with a one induction coil and fast charge, compatible with all Qi wireless devices, including

iPhone 8 / 8plus, iPhone X or Samsung.

It is designed to charge easily your Smartphone or any electronic device of 5V and 9V. The new Innera PAD Qi is made of aluminium in black matt finish. It incorporates

a threaded fixing system enabling the installation of the charger in any Surface with a maximum thickness of 34 mm.



Catalog No	Model	Description	Cut Hole Ø mm	Height (H) mm
0726811932025	EWC8010	Innera PAD Qi	80	20

### Power & Temperature:

Input: 5V/2A, 9V/1.67A  
Output: 5V/1A, 9V/1.1A (Max. 10W)  
Charging Distance: ≤ 8mm  
Efficiency Ratio: 80%  
Work Temperature: up to 45°C

### Structure & color:

Round & Compact, Innera PAD Qi is a unique solution with high grade properties, promising long life expectation. PAD Qi is black mat. Custom colors available on demand - minimum order will be required. Materials: Aluminium.

### Cable and connection to power:

The Innera PAD Qi is supplied with 1.5 meter USB cable with micro USB connector. In order to connect the product to power you should buy USB power supply separately.

**Testing:** 100% testing

**Certification:** Qi certification

**Warranty:** 3 years Warranty

**Installation:** Power drill and hole cutter required, Please read the installation instruction prior to installation.

**Packing:** each item in a box.

**Qi WPC Certified**  
Suitable for all Qi-enabled smart phone or other devices with a Qi receiver.



Innera PAD Qi  
EWC-8010





## Innera Bit - Charge

Innera Bit -Charge is a perfect small power & charge station, with QUALCOMM chip installed giving quick charging ability for any smart device: Apple, SAMSUNG, Google, LG,NOKIA, and many more.

The Innera Bit is perfect to be part of every surrounding: from offices, airports, meeting rooms, convention halls ,call centres, restaurants, hotels, labs, hospitals and more.

## Innera Bit - Charge

### Installation configurations:

#### In Desk /In Table

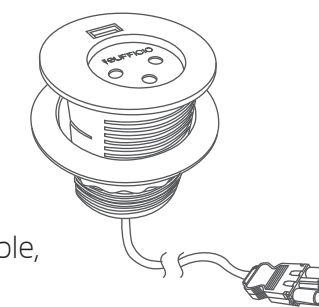
It mainly being placed in personal desk, in meeting room table, conference tables, podiums or any work surface, hosting surface and more.

#### Seating

It can be Installed on the surface of almost any seating systems such as sofas, couches, chairs, waiting benches, auditoriums, and more. providing great hidden solution with close & convenient access to power and quick charging.

#### In Panel

It can be installed in Panel, when small and unique power and charge station required but with the wish of pleasant design



### Power & Temperature:

Operating voltage: 230VAC 50VHz

Maximum current: 16A

Work Temperature: up to 70°C

USB Output: 5V 2.0A  
9V 1.2A  
12V 1.0A  
12W



### Structure & color:

Round & Compact, Innera bit - Charge is a unique solution with high grade properties, promising long life expectation. Innera Bit is black mat.

### Structure & color:

Round & Compact, Innera bit - Charge is a unique solution with high grade properties, promising long life expectation. Innera bit - Charge is black mat.

Custom colors available on demand - minimum order will be required.

Materials: PC.

### Cable and connection to power:

The Innera Bit - Charge is supplied with 0.4 meter cable (HO5VV-F 3x1.5mm<sup>2</sup>) with male GST 18/3 connector.

In order to connect the product to power you should buy the power cable separately.

**Testing:** 100% testing

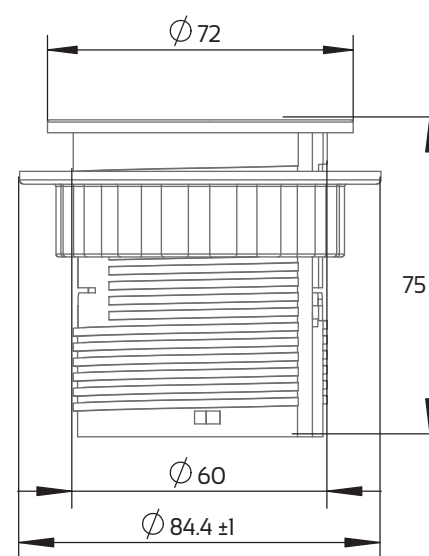
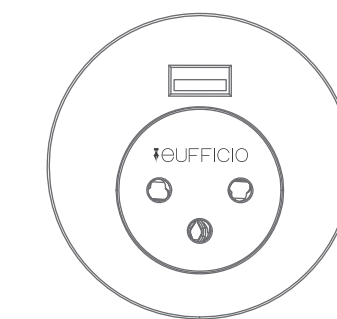
continuity, polarity, insulation & earth

**Certification:** SII test certification

**Warranty:** 3 years Warranty by German registered company

**Installation:** Power drill and hole cutter required, Please read the installation instruction prior to installation.

**Packing:** each item in a box



Catalog No	Model	Description	Color	Cut Hole Ø mm	Height (H) mm
0769978898216	IB-IC	IL socket with 2.1A USB charge	Black	60	75
727363257369	IB-IC	IL socket with 2.1A USB charge	White	60	75
0726811931561	co-Bit	Cover	Silver		4



IB-IC





## Innera Bit

Innera Bit , a small charming power station with cable through path hole, designed to fit perfectly to almost any furniture. With easy installation method the Innera Bit is tighten on the surface providing efficient and immediate access to power, and any cable you would like to insert through the hole: RJ45, USB, Audio , HDMI and more.

The Innera Bit is perfect to be part of every surrounding: from offices, meeting rooms, convention halls ,call centres, restaurants, hotels, labs, hospitals and many more.

## Innera Bit

### Installation configurations:

#### In Desk /In Table

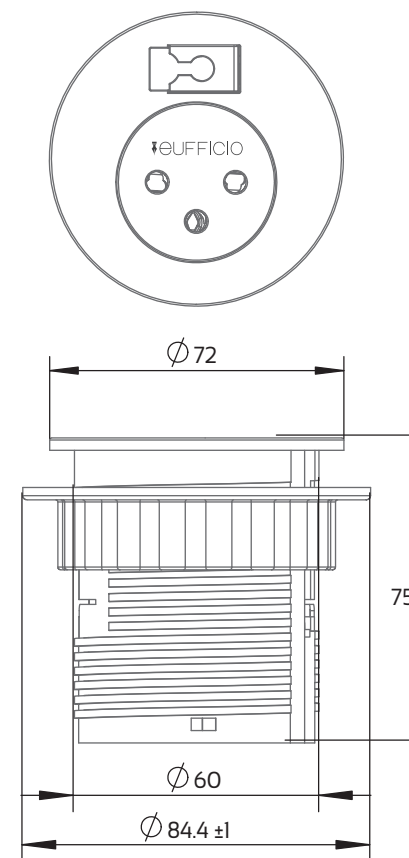
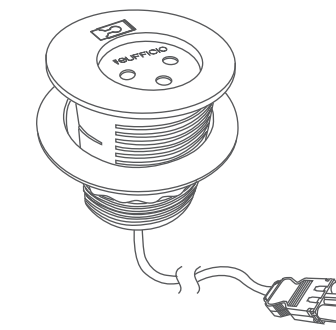
it mainly being placed in personal desk, in meeting room table, conference tables, podiums or any work surface, hosting surface and more.

#### Seating

it can be Installed on the surface of almost any seating systems such as sofas, couches, chairs, waiting benches, auditoriums, and more. providing great hidden solution with close & convenient access to power, charge, data and Telecom connections.

#### In Panel

It can be installed in Panel, when small and unique power and charge station required but with the wish of pleasant design.



Catalog No	Model	Description	Cut Hole Ø mm	Height (H) mm
0769978898209	IB-1	1 module with 1 IL socket with cable exit	60	75

### Power & Temperature:

Operating voltage: 230VAC 50VHz

Maximum current: 16A

Work Temperature: up to 70°C

### Structure & color:

Round & Compact, Innera bit is a unique solution with high grade properties , promising long life expectation. Innera Bit is black mat. Custom colors available on demand - minimum order will be required.

Materials: PC.

### Modules & combination:

The Innera Bit comes with one power socket and with cable through path hole.

### Cable and connection to power:

The Innera Bit is supplied with 0.4 meter cable (HO5VV-F 3x1.5mm<sup>2</sup>) with male GST 18/3 connector.

In order to connect the product to power you should buy the power cable separately.

**Testing:** 100% testing

continuity, polarity, insulation & earth

**Certification:** SII test certification

**Warranty:** 3 years Warranty by German registered company

**Installation:** Power drill and hole cutter required, Please read the installation instruction prior to installation.

**Packing:** each item in a box



Innera Bit  
IB-1



## Innera Bit Qi

Innera Bit Qi, a fancy in table by soft press mechanism. Getting immediate access to power and data while keeping high quality feel and modern sleek design.

The Innera Bit Qi ideal for meeting

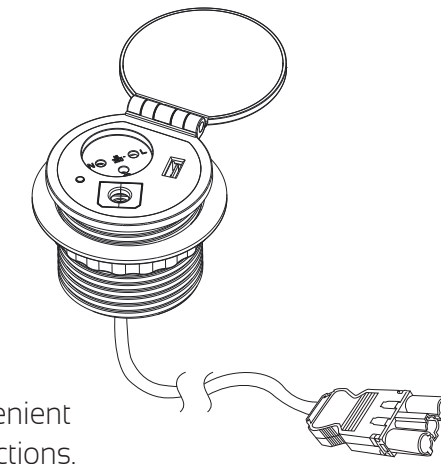


## Innera BIT Qi

### Installation configurations:

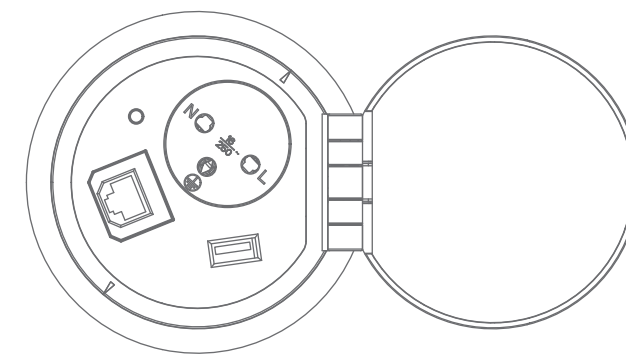
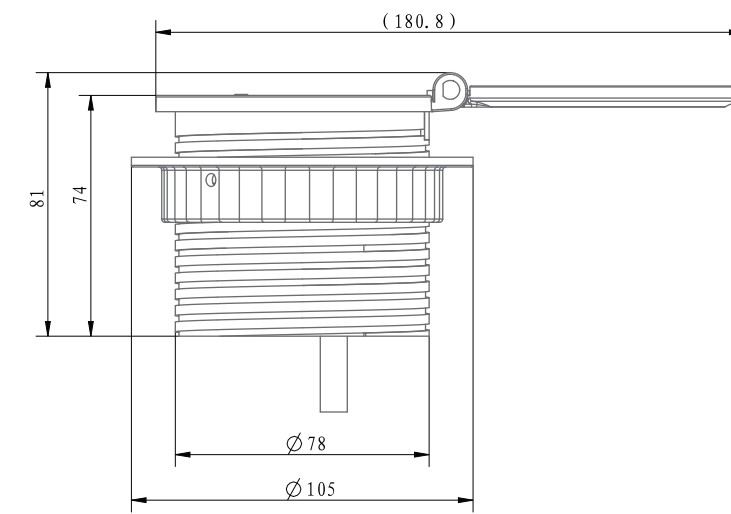
#### In Desk /In Table

it mainly being placed in personal desk, in meeting room table, conference tables, podiums or any work surface, hosting surface and more. providing great hidden solution with close & convenient access to power, charge, data and Telecom connections.



### Product description:

Innera Bit Qi is a stylish personal working station that include: socket/USB charger/Cat 6 port and a Wireless charger to be installed in any piece of furniture. The new Innera Bit Qi - It incorporates a threaded fixing system enabling the installation of the unit in any Surface with a maximum thickness of 55 mm.



Catalog No	Model	Description	Cut Hole Ø mm	Height (H) mm
0726811931875	IB-QI	Innera Bit Qi	80	81

### Power & Temperature:

Operating voltage: 230VAC 50VHz  
Maximum current: 16A  
Work Temperature: up to 70°C  
USB Output: 5V 2.1A

### Structure & color:

Round & Compact, Innera bit Qi is a unique solution with high grade properties, promising long life expectation. Innera bit Qi is black mat. Custom colors available on demand - minimum order will be required. Materials: PC.

### Cable and connection to power:

The Innera bit Qi - Charge is supplied with 0.4 meter cable (HO5VV-F 3x1.5mm<sup>2</sup>) with male GST 18/3 connector. In order to connect the product to power you should buy the power cable separately.

**Testing:** 100% testing continuity, polarity, insulation & earth

**Certification:** SII test certification

**Warranty:** 3 years Warranty

**Installation:** Power drill and hole cutter required, Please read the installation instruction prior to installation.

**Packing:** each item in a box



Innera BIT Qi



## Innera Climb Qi

Innera Climb Qi, a fancy in table by soft press mechanism. Getting immediate access to power and data while keeping high quality feel and modern sleek design.

The Innera Climbis ideal for meeting



## Innera Climb Qi

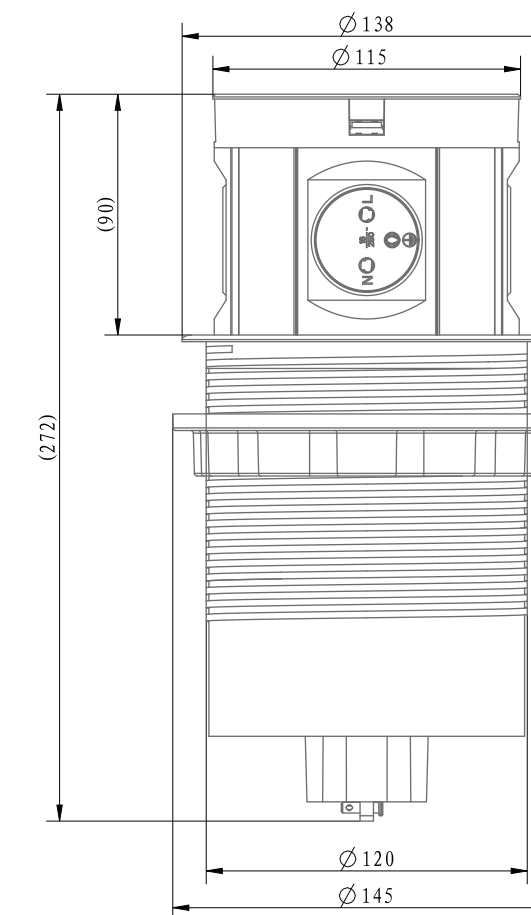
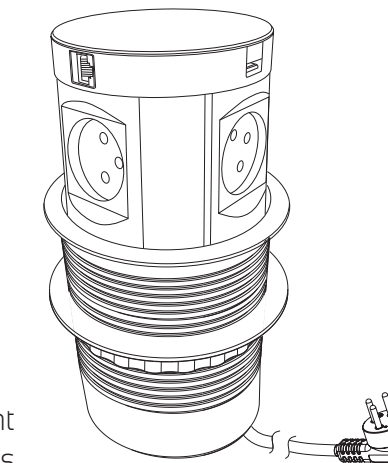
### Installation configurations:

#### In Desk /In Table

it mainly being placed in personal desk, in meeting room table, conference tables, podiums or any work surface, hosting surface and more. providing great hidden solution with close & convenient access to power, charge, data and Telecom connections.


### Product description:

Innera Bit Qi is an stylish personal working station that include: socket x4/USB chargerx2/Cat 6 port x2 and a Wireless charger to be intalled in any piece of furniture. The new Innera Bit Qi - It incorporates a threaded fixing system enabling the installation of the charger in any Surface with a máximum thickness of 92 mm.



Catalog No	Model	Description	Cut Hole Ø mm	Height (mm) open from table	Height (H) mm
0726811931882	ICL-QI	Innera Climb Qi	120	90	165

### Power & Temperature:

Operating voltage: 230VAC 50VHz  
Maximum current: 16A  
Work Temperature: up to 70°C  
USB Output x2: 5V  2.4A

### Structure & color:

Round & Compact, Innera Climb Qi is a unique solution with high grade properties, promising long life expectation. Innera Climb Qi is black mat and Alu. Materials: Aluminium & PC.

### Cable and connection to power:

The Innera Climb Qi - Charge is supplied with 0.4 meter cable (HO5VV-F 3x1.5mm<sup>2</sup>) with male GST 18/3 connector. In order to connect the product to power you should buy the power cable separately.

**Testing:** 100% testing continuity, polarity, insulation & earth

**Certification:** SII test certification

**Warranty:** 3 years Warranty by German registered company

**Installation:** Power drill and hole cutter required, Please read the installation instruction prior to installation.

**Packing:** each item in a box



Innera Climb





## Innera Molla

Innera Molla, a fancy in table power station ideal for meeting tables, inducing purity and integrity by fitting tightly to the table surface. Designed to be used also in fully covered position while the equipment can be plugged in.

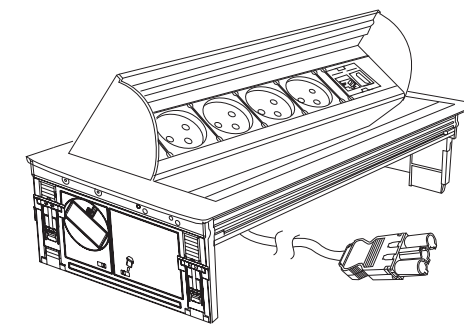
The Innera Mollais ideal for meeting room tables to be part of every surrounding: from offices, meeting rooms, convention halls, call centres, restaurants, hotels, labs, hospitals and many more.

## Innera Molla

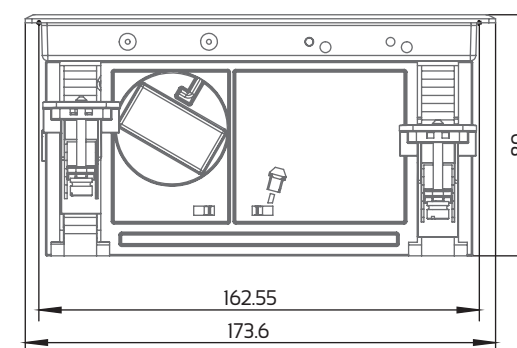
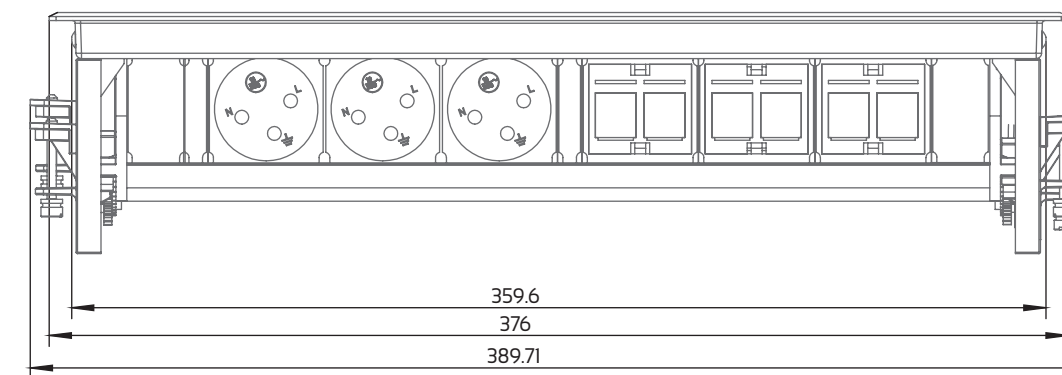
### Installation configurations:

#### In Desk /In Table

it mainly being placed in meeting room table, conference tables, desk and fine surfaces.



Drawing for illustration: IM-63



\* The product is suitable for surface 7 mm - 53 mm.

Catalog No	Model	Description	Color	Length (L) mm	Width (W) mm	Height (H) mm
0727363258335	IM-62C	2 IL sockets , 2.4A USBx2 Charge, 4 keystones	Black	376	173.6	89
0727363258328	IM-63	3 IL sockets & 6 keystones	White	376	173.6	89

### Power & Temperature:

Operating voltage: 230VAC 50VHz  
Maximum current: 16A  
Work Temperature: up to 70°C

### Structure & color:

Flush, solid and durable structure, you will find Innera Molla is reliable unit with long life expectation. Innera Molla is available in Silver anodized cover - black sockets and end caps. Custom colors available on demand – minimum order will be required. Materials: cover - aluminium, sockets - PC.

### Modules & combination:

The Innera Molla can be configured with a combination of power, data, communication, or any other Keystone system component.

### Cable and connection to power:

The Innera Molla is supplied with 0.4 meter cable (HO5VV-F 3x2.5mm<sup>2</sup>) with male GST 18/3 connector. In order to connect the product to power you should buy the power cable separately.

**Testing:** 100% testing continuity, polarity, insulation & earth

**Certification:** SII test certification

**Warranty:** 3 years Warranty

**Installation:** Power saw, Power drill and hole cutter required, please read the installation instruction prior to installation.

**Packing:** each item in a box



IM-63



IM-62C





## Innera Classic

Innera Classic, a fancy in table power station ideal for meeting tables, inducing purity and integrity by fitting tightly to the table surface. Designed to be used also in fully covered position while the equipment can be plugged in.

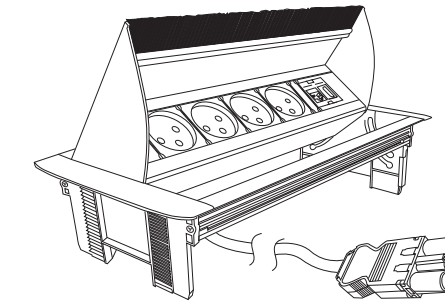
The Innera Classic is ideal for meeting room tables to be part of every surrounding: from offices, meeting rooms, convention halls, call centres, restaurants, hotels, labs, hospitals and many more.

## Innera Classic

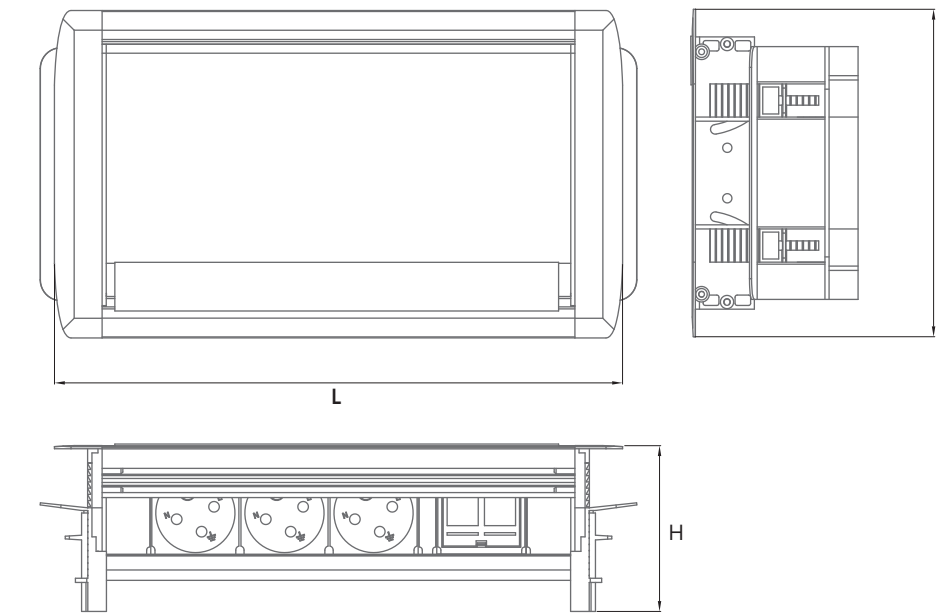
### Installation configurations:

#### In Desk /In Table

it mainly being placed in meeting room table, conference tables, desk and fine surfaces.



Drawing for illustration: IC-43



Catalog No	Model	Description	Length (L) mm	Width (W) mm	Height (H) mm
0769978897769	IC-33	3 IL sockets	222	158	80
0769978897776	IC-32	2 IL sockets & 2 keystones	232	158	80
0769978897783	IC-44	4 IL sockets	265	158	80
0769978897790	IC-43	3 IL sockets & 2 keystones	274	158	80
0769978897813	IC-55	5 IL sockets	308	158	80
0769978897820	IC-54	4 IL sockets & 2 keystones	317	158	80
0769978897837	IC-53	3 IL sockets & 4 keystones	317	158	80
0769978897844	IC-52	2 IL sockets & 6 keystones	317	158	80
0726811931653	IC-52C	2 IL sockets , 2.4A USBx2 Charge, 4 keystones	317	158	80
0769978897851	IC-66	6 IL sockets	361	158	80
0769978897868	IC-65	5 IL sockets & 2 keystones	361	158	80
0769978897875	IC-64	4 IL sockets & 4 keystones	361	158	80
0726811931684	IC-73	3 IL sockets & 8 keystones	404	158	80
0769978897905	IC-88	8 IL sockets	447	158	80
0769978897912	IC-87	7 IL sockets & 2 keystones	447	158	80
0769978897929	IC-86	6 IL sockets & 4 keystones	447	158	80
0726811931707	IC-1004	4 IL sockets & 12 keystones	533	158	80

### Power & Temperature:

Operating voltage: 230VAC 50VHz  
Maximum current: 16A  
Work Temperature: up to 70°C

### Structure & color:

Flush, solid and durable structure, you will find Innera Classic is reliable unit with long life expectation. Innera Classic is available in Silver anodized cover - black sockets and end caps. Custom colors available on demand – minimum order will be required. Materials: cover - aluminium, sockets - PC.

### Modules & combination:

The Innera Classic can be configured with a combination of power, data, communication, or any other Keystone system component.

### Cable and connection to power:

The Innera Classic is supplied with 0.4 meter cable (HO5VV-F 3x1.5mm<sup>2</sup>) with male GST 18/3 connector. In order to connect the product to power you should buy the power cable separately.

**Testing:** 100% testing continuity, polarity, insulation & earth

**Certification:** SII test certification

**Warranty:** 3 years Warranty by German registered company

**Installation:** Power saw, Power drill and hole cutter required, please read the installation instruction prior to installation.

**Packing:** each item in a box







## Innera Leisure

Innera Leisure, a fancy in table power station operated by soft press mechanism. Getting immediate access to power and data while keeping high quality feel and modern sleek design.

The Innera Leisure is ideal for meeting room tables to be part of every surrounding: from offices, meeting rooms, convention halls, call centres, restaurants, hotels, labs, hospitals and many more.

## Innera Leisure

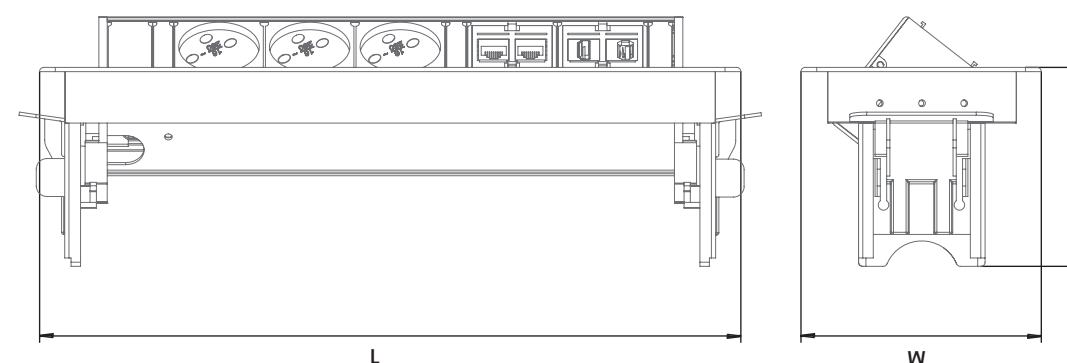
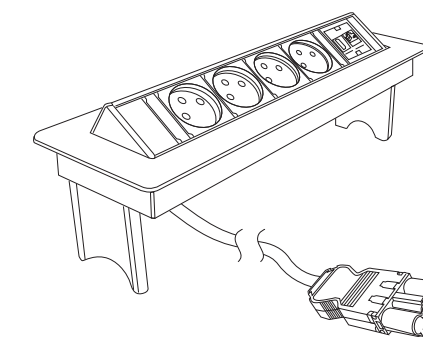
### Installation configurations:

#### In Desk /In Table

it mainly being placed in meeting room table, conference tables, desk and fine surfaces.

#### Seating

it can be installed on the surface of almost any seating systems such as sofas, couches, chairs, waiting benches, auditoriums, and more. providing great hidden solution with close & convenient access to power, charge, data and Telecom connections.



### Best Seller items of Innera Leisure series:

Catalog No	Model	Description	Color	Length (L) mm	Width (W) mm	Height (H) mm
0727363256751	IL-53C2	3 IL sockets & 2.4A USBx2 Charge	White	332.6	114	95
0769978898100	IL-52	2 IL sockets & 6 keystones	Black	332.6	114	95
0769978898094	IL-53	3 IL sockets & 4 keystones	White	332.6	114	95
0769978898087	IL-54	4 IL sockets & 2 keystones	Silver	332.6	114	95
0769978898070	IL-55	5 IL sockets	Silver	332.6	114	95
0769978898056	IL-43	3 IL sockets & 2 keystones	Silver	289.6	114	95
0769978898049	IL-44	4 IL sockets	Silver	289.6	114	95
0769978898032	IL-32	2 IL sockets & 2 keystones	Silver	246.6	114	95
0769978898025	IL-33	3 IL sockets	Silver	246.6	114	95
0727363256874	IL-22	2 IL sockets	White	203.6	114	95
0727363256867	IL-22	2 IL sockets	Black	203.6	114	95

### Power & Temperature:

Operating voltage: 230VAC 50VHz  
Maximum current: 16A  
Work Temperature: up to 70°C

### Structure & color:

Flush, solid and durable structure, you will find Innera Leisure is reliable unit with long life expectation. Innera Leisure is available in Silver anodized complete cover with black sockets. Custom colors available on demand – minimum order will be required. Materials: cover - aluminium, sockets - PC.

### Modules & combination:

The Innera Leisure can be configured with a combination of power, data, communication, or any other Keystone system component.

### Cable and connection to power:

The Innera Leisure is supplied with 0.4 meter cable (HO5VV-F 3x1.5mm<sup>2</sup>) with male GST 18/3 connector. In order to connect the product to power you should buy the power cable separately.

**Testing:** 100% testing continuity, polarity, insulation & earth

**Certification:** SII test certification

**Warranty:** 3 years Warranty by German registered company

**Installation:** Power saw, Power drill and hole cutter required, please read the installation instruction prior to installation.

**Packing:** each item in a box







**EUFFICIO**  
Design & Electric

## Innera Piatto

Innera Piatto - practical power station which allows efficient solution for easy and immediate access to power very easy installation method  
With Built in Male & Female GST connectors, it can be chained to other Euficio products simply can be installed almost anywhere and in variety of configurations and for multiple applications

## Innera Piatto

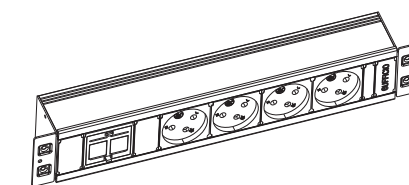
### Installation configurations:

#### In Desk

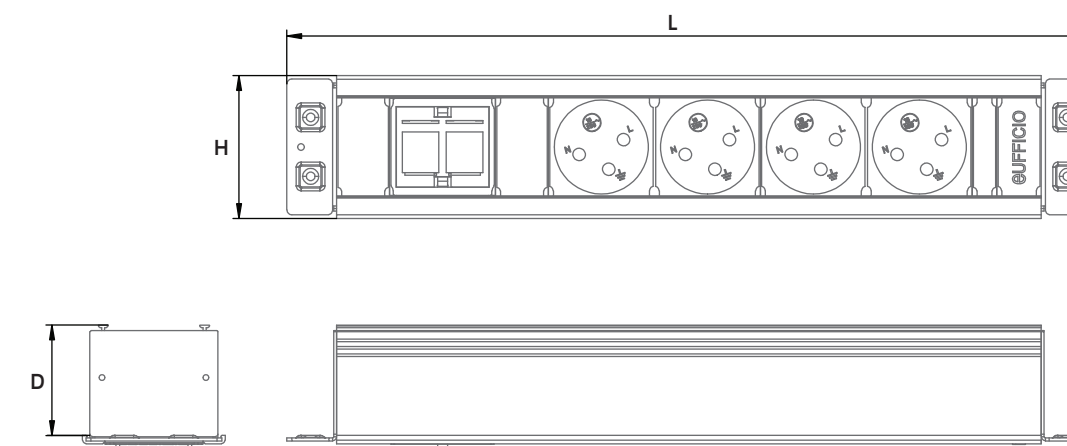
In any requirement of Hidden power and data station beneath the surface with very easy installation procedure.

#### In Wall / In Panel

it can be mounted in walls/panels, whenever power and data stations are required with avoiding the need to make changes in the construction or to use electrician.



Drawing for illustration: IP-54



Catalog No	Model	Description	Length (L) mm	Depth (W) mm	Height (H) mm
0726811931813	IP-20	4 keystone adapters	176	48.2	58
0726811931820	IP-40	8 keystone adapters	262	48.2	58
0727363257086	IP-22	2 IL sockets	197	48.2	58
0769978901992	IP-32	2 IL sockets, 2 keystone adapters	240	48.2	58
0769978901787	IP-32C	2 IL sockets, USB charging module	240	48.2	58
0726811932087	IP-54	4 IL sockets, 2 keystone adapters	326	48.2	58
0769978897721	IP-54R	4 IL sockets, 2 keystone adapters with rocker switch	326	48.2	58
0769978897752	IP-44	4 IL sockets	283	48.2	58
0727363256416	IP-44R	4 IL sockets, IP+N switch	384	48.2	58
0727363256423	IP-44	4 IL red sockets (UPS)	283	48.2	58
0727363256430	IP-44R	4 IL red sockets (UPS), IP+N switch	384	48.2	58

### Power & Temperature:

Operating voltage: 230VAC 50VHz  
Maximum current: 16A  
Work Temperature: up to 70°C

### Structure & color:

Compact, but with solid and durable structure, you will find Innera Piatto is reliable unit with long life expectation. Innera Piatto is available in Silver anodized frame - black sockets and end caps. Custom colors available on demand – minimum order will be required. Materials: cover - aluminium, sockets - PC.

### Modules & combination:

The Connecto Key can be configured with power, Charge, Data, communication and more.

### Cable and connection to power:

\* The Innera Piatto is supplied with:  
INPUT - 0.1 meter cable (HO5VV-F 3x1.5mm<sup>2</sup>) with male GST 18/3 connector  
OUTPUT - 0.1 meter cable (HO5VV-F 3x1.5mm<sup>2</sup>) with female GST 18/3 connector.  
In order to connect the product to power you should buy the power cable separately.

**Testing:** 100% testing  
continuity, polarity, insulation & earth

**Certification:** SII test certification

**Warranty:** 3 years Warranty by German registered company

**Installation:** No Tools required, supplied with installation kit for attaching to a desired surface.

Please read the installation instruction prior to installation.

**Packing:** each item in a box

\* Only on models with power socket





## Connecto Power

Practical power station which allows efficient solution for easy and immediate access to power, Charge and combination between them. With Built in Male & Female GST connectors, it can be chained to other Euficio products simply and without the need of electrician. The connecto Power can be installed almost anywhere and in variety of configurations and for multiple applications from factories, warehouses, offices, labs, hospitals, convention halls, call centres, restaurants, hotels and many more.

The Connecto Power is perfect to be part of every surrounding

## Connecto Power

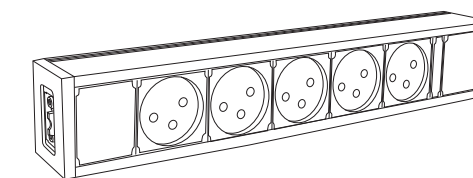
### Installation configurations:

#### Under Desk /Under Table

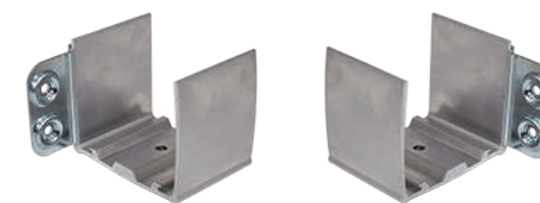
In any requirement of Hidden power station beneath the surface with very easy installation procedure.

#### On Wall /In Wall

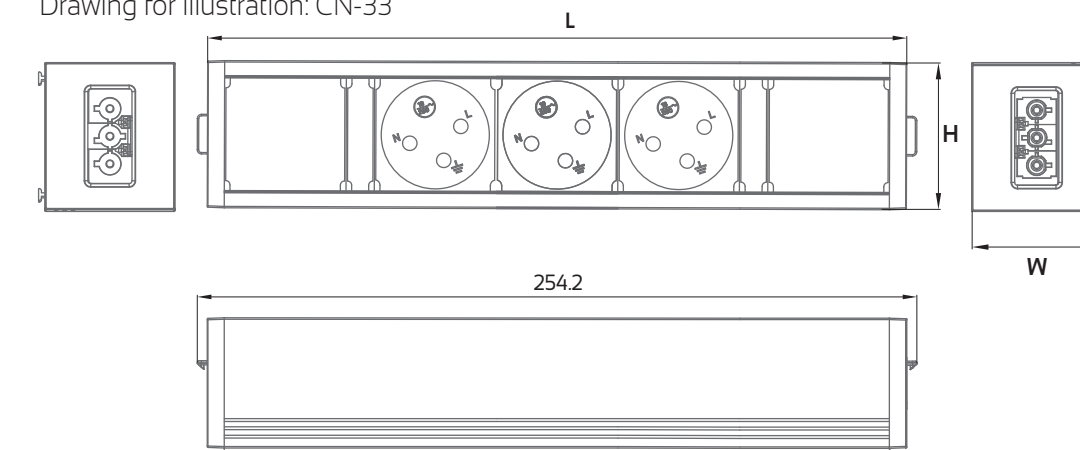
it can be mounted on walls, whenever power stations are required with avoiding the need to make changes in the construction or to use electrician.



You can add 90° bracket set



Drawing for illustration: CN-33



Best Seller items of **Connecto Power** series:

Catalog No	Model	Description	Length (L) mm	Width (W) mm	Height (H) mm
0726811931752	CN-20C2	2 double USB Charge	214	48.2	52
0769978898681	CN-33	3 IL sockets	247	48.2	52
0769978901053	CN-43C	3 IL sockets & double USB Charge	290	48.2	52
0769978898704	CN-44	4 IL sockets	290	48.2	52
0769978898735	CN-55	5 IL sockets	333	48.2	52
0769978898773	CN-66	6 IL sockets	376	48.2	52
0769978898827	CN-88	8 IL sockets	462	48.2	52
0727363258229	CN-90b	Connecto Power 90° bracket set	50	40	60

### Power & Temperature:

Operating voltage: 230VAC 50VHz  
Maximum current: 16A  
Work Temperature: up to 70°C

### Structure & color:

Compact, but with solid and durable structure, you will find Connecto power is reliable unit with long life expectation. Connecto power is available in Silver anodized frame - black sockets and end caps. Custom colors available on demand - minimum order will be required. Materials: cover - aluminium, sockets - PC.

### Modules & combination:

The Connecto power can be configured with power only, Charge only or combination of power, and charge.

### Cable and connection to power:

The Connecto Power Has Built in Male GST connector on one side and Female GST connector on the other side. In order to connect the product to power you should buy the power cable separately.

**Testing:** 100% testing continuity, polarity, insulation & earth

**Certification:** SII test certification

**Warranty:** 3 years Warranty by German registered company

**Installation:** No Tools required, supplied with installation kit for attaching to a desired surface.

Please read the installation instruction prior to installation.

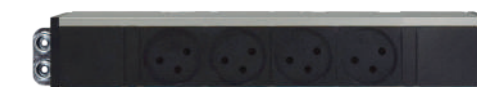
**Packing:** each item in a box



Connecto Power CN-20C2



Connecto Power CN-43C



Connecto Power CN-44



Connecto Power CN-88



## Connecto Key

Practical power station which allows efficient solution for easy and immediate access to power, charge, data and Telecom connections with very easy installation method.

With Built in Male & Female GST connectors, it can be chained to other Euficio products simply and without the need of electrician.

The connecto Key can be installed almost anywhere and in variety of configurations and for multiple applications from factories, warehouses, offices, labs, hospitals, convention halls, call centres, restaurants, hotels and many more.

## Connecto Key

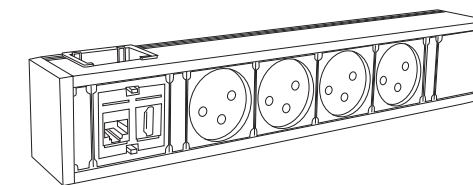
### Installation configurations:

#### Under Desk /Under Table

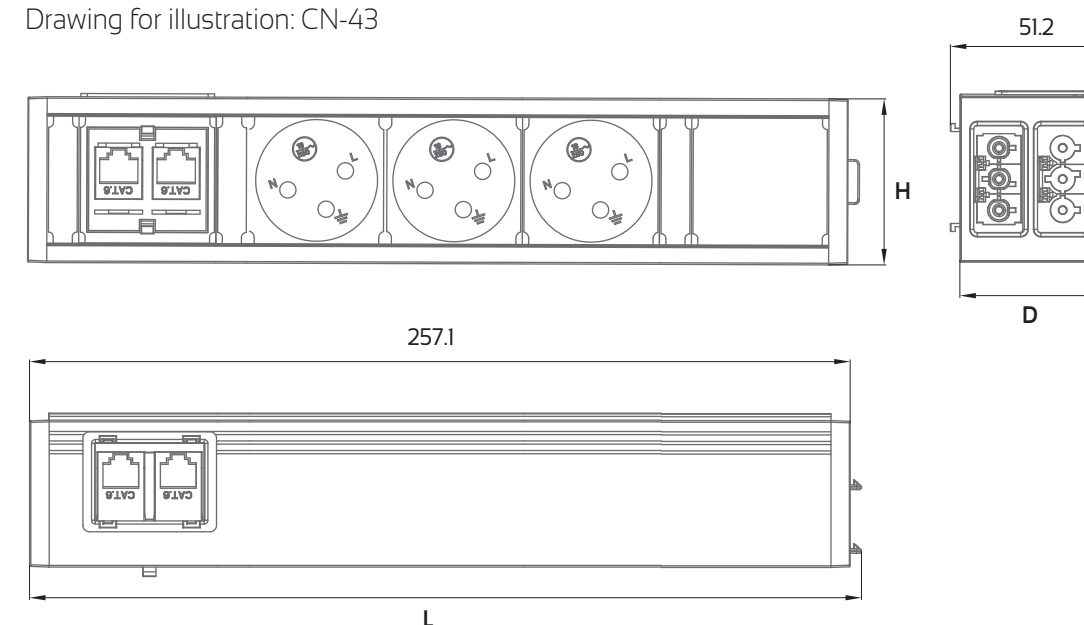
In any requirement of Hidden power and data station beneath the surface with very easy installation procedure.

#### On Wall /In Wall

it can be mounted on walls, whenever power and data stations are required with avoiding the need to make changes in the construction or to use electrician.



Drawing for illustration: CN-43



Best Seller items of **Connecto Key** series:

Catalog No	Model	Description	Length (L) mm	Width (W) mm	Height (H) mm
0769978898711	CN-43	3 IL sockets & 2 keystones	261	48.2	52
0769978898742	CN-54	4 IL sockets & 2 keystones	304	48.2	52
0769978898759	CN-53	3 IL sockets & 4 keystones	304	48.2	52
0769978898780	CN-65	5 IL sockets & 2 keystones	347	48.2	52
0769978898797	CN-64	4 IL sockets & 4 keystones	347	48.2	52
0769978898834	CN-87	7 IL sockets & 2 keystones	430	48.2	52
0769978898841	CN-86	6 IL sockets & 4 keystones	430	48.2	52
0769978898858	CN-85	5 IL sockets & 6 keystones	430	48.2	52
0769978898902	CN-1008	8 IL sockets & 4 keystones	516	48.2	52

### Power & Temperature:

Operating voltage: 230VAC 50VHz  
Maximum current: 16A  
Work Temperature: up to 70°C

### Structure & color:

Compact, but with solid and durable structure, you will find Connecto Key is reliable unit with long life expectation.

Connecto Key is available in Silver anodized frame - black sockets and end caps.

Custom colors available on demand - minimum order will be required.

Materials: cover - aluminium, sockets - PC.

### Modules & combination:

The Connecto Key can be configured with power, Charge, Data, communication and more.

### connection to power:

The Connecto Key Has Built in Male GST connector and Female GST connector on the same side.

In order to connect the product to power you should buy the power cable separately.

**Testing:** 100% testing

continuity, polarity, insulation & earth

**Certification:** SII test certification

**Warranty:** 3 years Warranty

**Installation:** No Tools required, supplied with installation kit for attaching to a desired surface.

Please read the installation instruction prior to installation.

**Packing:** each item in a box



Connecto Key CN-43



Connecto Key CN-65

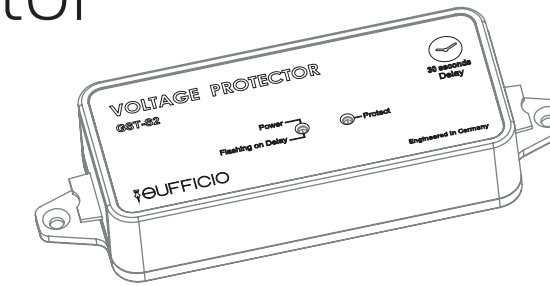




## Voltage Protector GST-S2

The GST-S2 is a Smart Voltage protector with Built-In software and Automatic Voltage switch Function Supplying full protection for all the connected devices against over voltage , under voltage, spikes, surges , lightning and fire.

## Voltage Protector



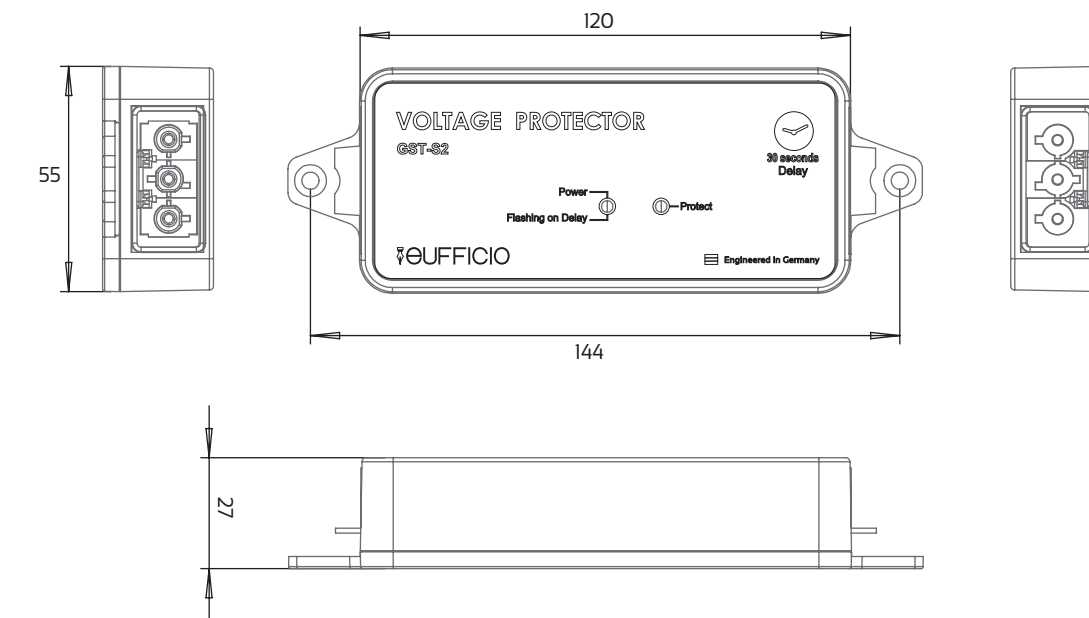
### Installation configurations:

Under Desk /Under Table

In any requirement of Hidden power and data station beneath the surface with very easy installation procedure.

On The Wall

it can be mounted on walls, whenever power and data stations are required with avoiding the need to make changes in the construction or to use electrician.



Catalog No	Model	Description	Unit length	Unit width	Unit height
0769978899565	GST-S2	Voltage Protector	144	55	27

### Power & Temperature:

Operation voltage & Frequency	230VAC 50/60 Hz
Watts	3600W max
Max Load current	16A
Operation Temperature	-10°C to 40°C
IP Rate	IP20
General consumption	<0.1A
Surge Protection Device Rate	Class III
Total current absorb capability	12,000A
Total energy absorb capability	350 Joule
Surge Protection response time	<10 <sup>-9</sup>
incursion current	100 A
Delay time	30 Seconds
Over-voltage disconnect	270VAC
Over-voltage reconnect	255VAC
Under-voltage disconnect	180VAC
Under-voltage reconnect	190VAC
Max operating voltage (Uc )	330VAC
Over Voltage response time	<0.02 Seconds
Uner Voltage response time	<0.5 seconds
High-Heat disconnect	70°C
High-Heat reconnect	45°C

### Structure & color:

Compact, but with solid and durable structure, you will find Connecto Key is reliable unit with long life expectation.

Materials: PC.

### connection to power:

The Voltage Protector Has Built in Male GST connector and Female GST connector.

In order to connect the product to power you should buy the power cable separately.

**Testing:** 100% testing continuity, polarity, insulation & earth

**Certification:** SII test certification

**Warranty:** 3 years Warranty

**Installation:** Please read the installation instruction prior to installation.

**Packing:** each item in a box



Voltage Protector



## 36W USB Quick Charge

The 36W USB Quick Charge is a Smart USB for all the connected devices against over voltage, under voltage, spikes, surges , lightning and fire.



## 36W USB Quick Charge

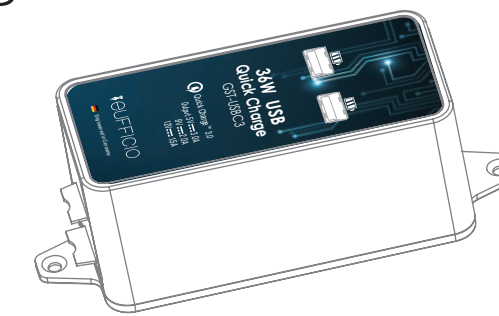
### Installation configurations:

**Under Desk /Under Table**

In any requirement of Hidden power and data station beneath the surface with very easy installation procedure.

**On The Wall**

it can be mounted on walls, whenever charge port are required with avoiding the need to make changes in the construction or to use electrician.



### Power & Temperature:

Model: GST-USBC3  
Cat No: 0769978897547  
16A/250VAC 50Hz  
Wattage: 3500W max  
USB Output x2: 5V  $\equiv$  3.0A  
9V  $\equiv$  2.0A  
12V  $\equiv$  1.5A  
18W

Quick Charge™ 3.0

### Structure & color:

Compact, but with solid and durable structure, you will find 36W USB Quick Charge is reliable unit with long life expectation. Materials: PC.

### connection to power:

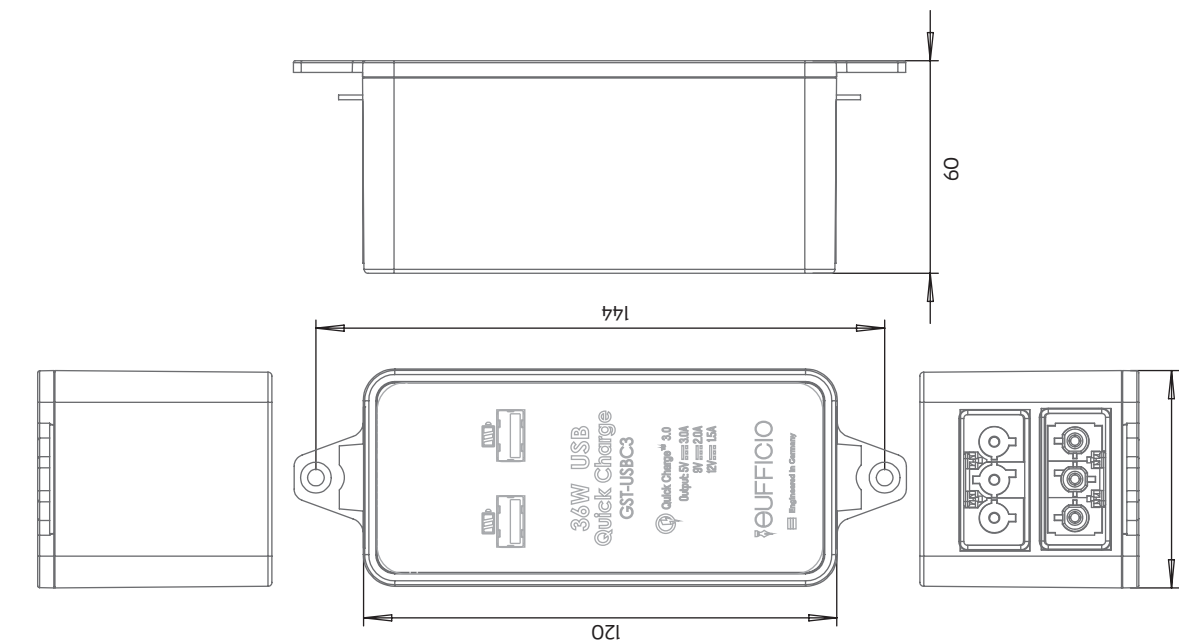
The 36W USB Quick Charge Has Built in Male GST connector and Female GST connector. In order to connect the product to power you should buy the power cable separately.

**Testing:** 100% testing continuity, polarity, insulation & earth

**Warranty:** 3 years Warranty

**Installation:** Please read the installation instruction prior to installation.

**Packing:** each item in a box



Catalog No	Model	Description	Unit length	Unit width	Unit height
0769978897547	GST-USBC3	36W USB Quick Charge	144	55	60



GST-USBC3





## Power Cables

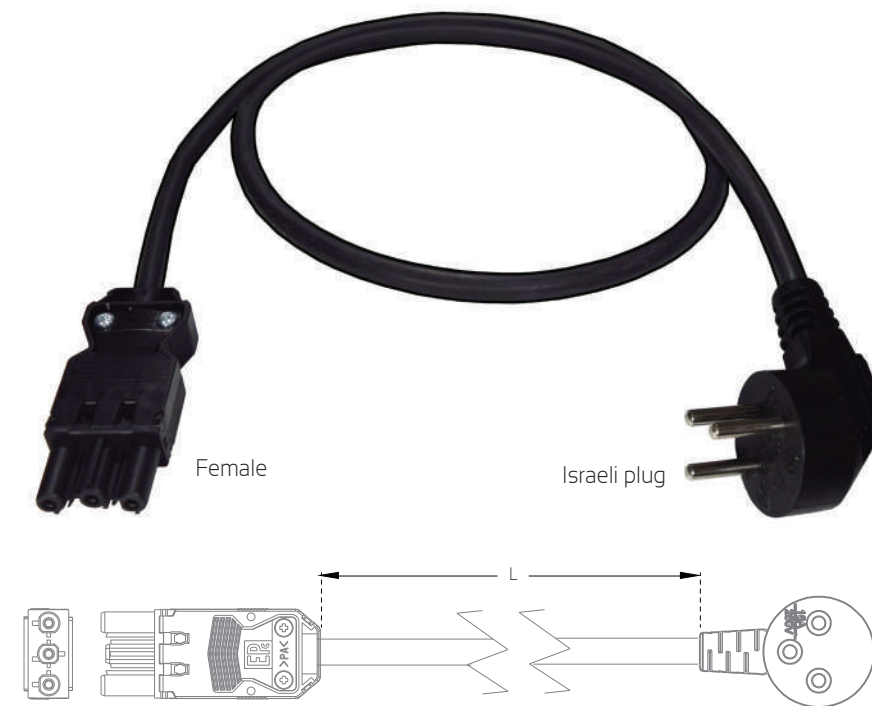
Eufficio provides wide range of cables & connectors for connecting products to power, for chaining them to each other and more.

## Starter cable

For Connecting Eufficio items to power.

SIDE A: Israeli plug

SIDE B: GST Female connector



### CABLE: HO5VV-F 3X1.5mm<sup>2</sup>

Catalog No	Model	Cable length	Color	Unit Packing	Unit weight
0769978899411	IL/GST Fe	0.5 meter	Black	שקית	0.13
0769978899428	IL/GST Fe	1 meter	Black	שקית	0.256
0769978899435	IL/GST Fe	2 meter	Black	שקית	0.357
0769978899442	IL/GST Fe	3 meter	Black	שקית	0.464
0769978899459	IL/GST Fe	4 meter	Black	שקית	0.552
0769978899466	IL/GST Fe	5 meter	Black	שקית	0.668
0769978899473	IL/GST Fe	10 meter	Black	שקית	1.198

### CABLE: HO5VV-F 3X2.5mm<sup>2</sup>

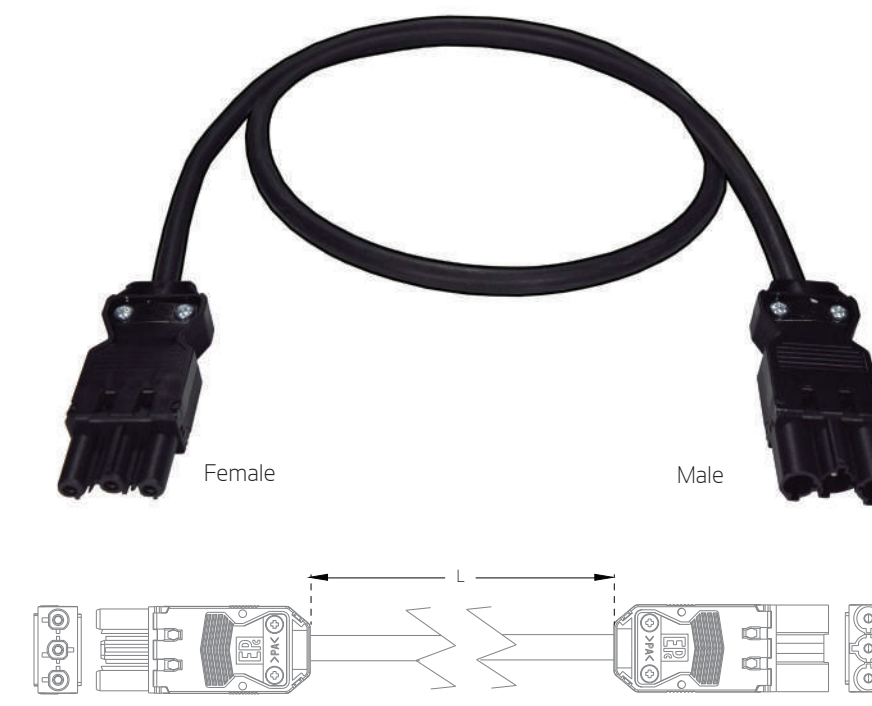
Catalog No	Model	Cable length	Color	Unit Packing
0727363259066	IL/GST Fe	1 meter	Black	שקית
0727363258878	IL/GST Fe	2 meter	Black	שקית
0727363259073	IL/GST Fe	3 meter	Black	שקית
0727363259080	IL/GST Fe	4 meter	Black	שקית
0727363259097	IL/GST Fe	5 meter	Black	שקית

## Extension cable

For chaining between Eufficio items from one item to another.

SIDE A: GST Male connector

SIDE B: GST Female connector



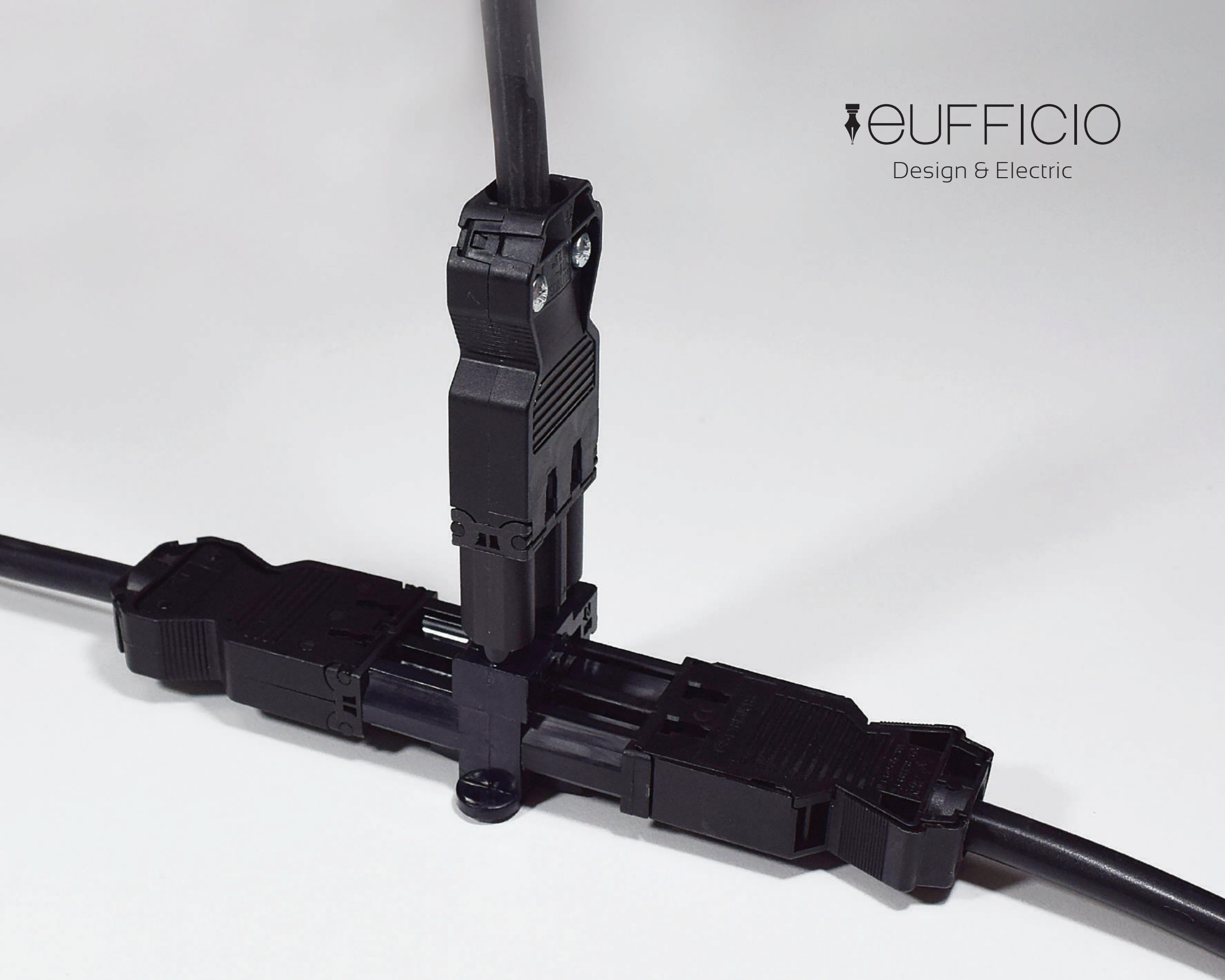
### CABLE: HO5VV-F 3X1.5mm<sup>2</sup>

Catalog No	Model	Cable length	Color	Unit Packing	Unit weight
0769978899480	Ext - GST	0.1 meter	Black	PE bag	0.10
0769978899497	Ext - GST	0.5 meter	Black	PE bag	0.13
0769978899503	Ext - GST	1 meter	Black	PE bag	0.256
0769978899510	Ext - GST	2 meter	Black	PE bag	0.357
0769978899527	Ext - GST	3 meter	Black	PE bag	0.464
0769978899534	Ext - GST	4 meter	Black	PE bag	0.552
0769978899541	Ext - GST	5 meter	Black	PE bag	0.668
0769978899558	Ext - GST	10 meter	Black	PE bag	1.198

### CABLE: HO5VV-F 3X2.5mm<sup>2</sup>

Catalog No	Model	Cable length	Color	Unit Packing
0727363256591	Ext - GST	1 meter	Black	PE bag
0727363256607	Ext - GST	2 meter	Black	PE bag
0727363256614	Ext - GST	3 meter	Black	PE bag
0727363256621	Ext - GST	4 meter	Black	PE bag
0727363256638	Ext - GST	5 meter	Black	PE bag



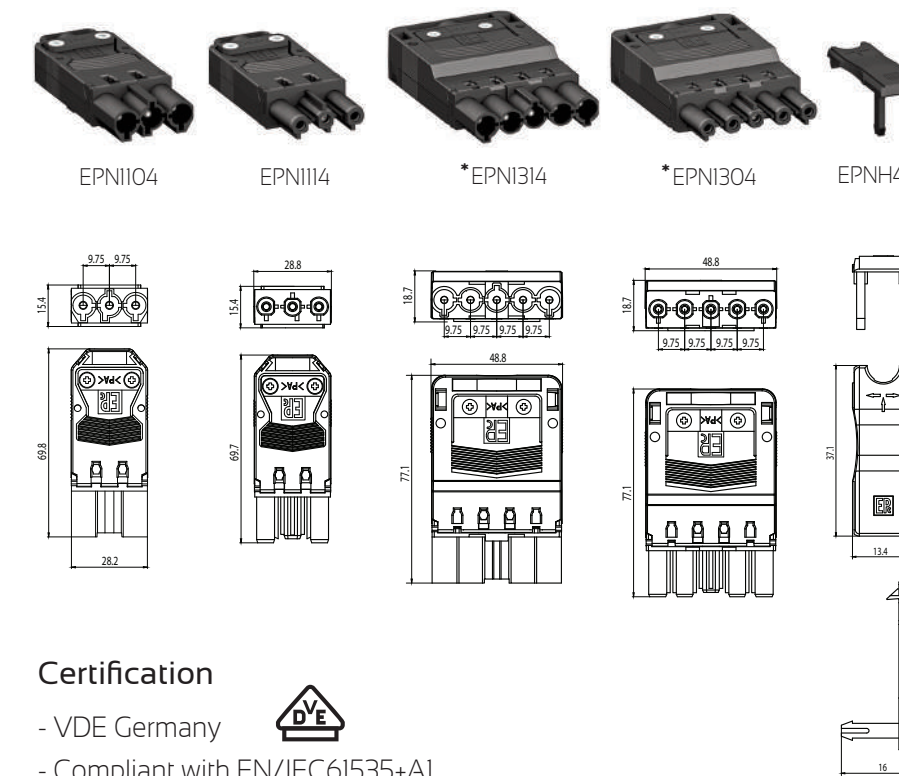


## GST Connectors & Adaptors


Eufficio provides wide range of GST Connectors & Adaptors for connecting products to power, for chaining them to each other and more.

## GST Connectors

- 20A - 400VAC\* 250VAC
- Max Cable: 3X2.5mm<sup>2</sup>, \*5X2.5mm<sup>2</sup>



### Certification

- VDE Germany 
- Compliant with EN/IEC61535+A1
- Additional devices:

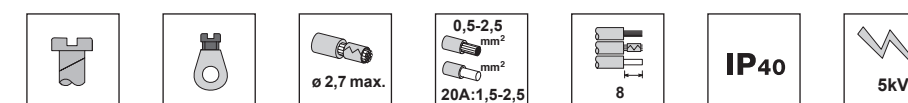


### Materials Characteristics

Housing : Polyamide 66 (94-V2 grade)  
Metal Parts : Tin-Plate Brass/Stainless Steel Spring

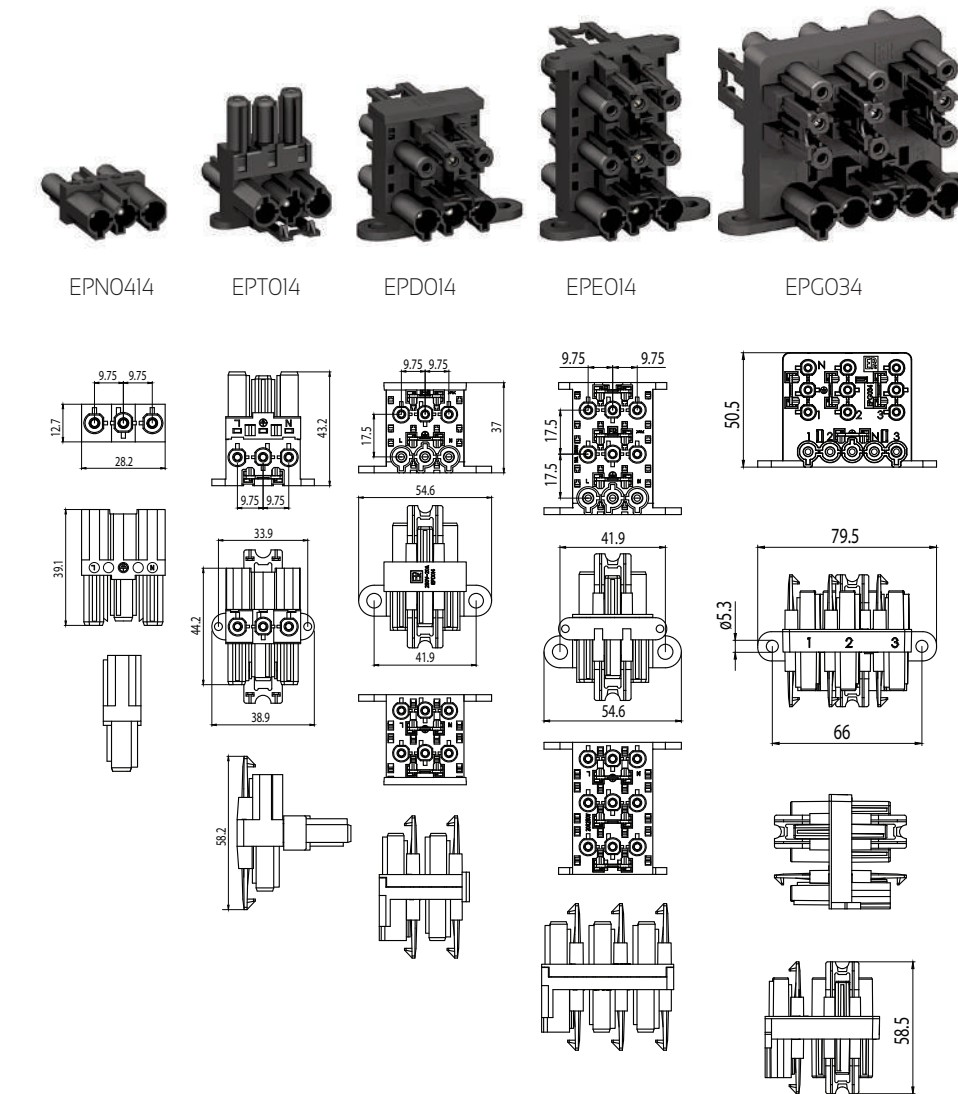
### Specification

- Poles: 2P+E, \*4P+E
- Rated current and voltage: 20A-250VAC, \*400VAC,
- Maximum operating temperature: 100°C
- Flexible and rigid conductor section: 0.75-2.5mm<sup>2</sup>



Catalog No	Model	Description	Color
0769978901558	EPNII04	GST Male connector	BLACK
0769978901565	EPNIII4	GST Female connector	BLACK
0727363256324	EPNII05	GST Male connector	WHITE
0727363256331	EPNIII5	GST Female connector	WHITE
0726811931554	EPNH4	GST Lock accessory	BLACK
0727363256508	EPNI304	GST 3 phase Male connector	BLACK
0727363256515	EPNI314	GST 3 phase Female connector	BLACK

## GST Adaptors



### Certification



### Materials Characteristics

Housing : Polyamide 66 (94-V2 grade)  
Metal Parts : Tin-Plate Brass/Stainless Steel Spring

### Specification

- Poles: 2P+E, \*4P+E
- Rated current and voltage: 20A-250VAC, \*400VAC,
- Maximum operating temperature: 100°C

Catalog No	Model	Description
0726811932094	EPN0414	GST Adaptor block 1 inlet 1 outlet
0769978901572	EPT014	GST Adaptor block 1 inlet 2 outlets
0769978901589	EPD014	GST Adaptor block 1 inlet 3 outlets
0769978901596	EPE014	GST Adaptor block 1 inlet 5 outlets
0727363256522	EPG034	GST Adaptor block 1 inlet (3 Phase) 6 outlets (1 Phase) 1 outlet (3 Phase)





## Accessories & more

Multimedia, Ethernet, Data, Network and many more. Eufficio provide wide range of accessories for any need and usage.

## Keystones accessories

### Comms, Network, Multimedia and more

You can choose any of the components below to assemble easily by snap (click) to the Frame for 2 Keystone.



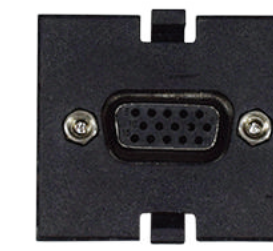
ek-cat6 90°



ek-cat6 180°



pl-ptc



pl-vga



ek-2box



Catalog No	Model	Description
0769978901251	ek-cat6	CAT 6 Female to Female Keystone jack 180° Nickel
0769978901268	ek-cat6	CAT 6 Female to Female Keystone jack 90° Nickel
0769978901329	ek-hdmi	HDMI Keystone cable Female to Female 10cm Black
0769978901336	ek-usb3ic	USB 3.0 Keystone cable Female to male connector 10cm Black
0727363256720	ek-usb2ic	USB 2.0 Keystone cable Female to male connector 10cm Black
0727363257468	ek-usb3c	USB-C Keystone cable to male USB 3.0 connector 10cm Black
0726811930670	pl-vga	VGA Female to Female Plate
0726811930663	ek-audio	AUDIO Keystone cable Female to Female 10cm Black
0726811931547	pl-VGA+A	VGA Female to Female+ Audio cable Female to Female 10cm Black Plate
0726811931776	pl-ptc	Pass through Cable Plate
0727363257444	ek-2box	Surface mount Keystone box, 2 modules black



HDMI



USB-3



USB-C



AUDIO



VGA + AUDIO



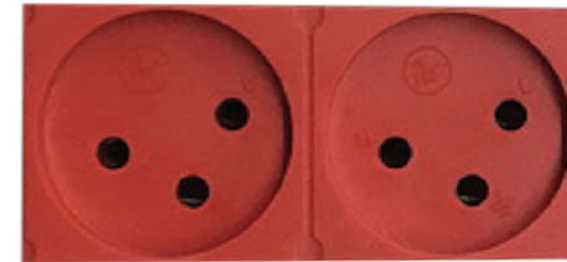
## Components-to Customize your item

Different power modules, control, protection and multiple options.. you can build you own item exactly to your need.

## Customized Modules

Eufficio allow product customization

### UPS Sockets



Red Israeli Sockets with fuse

### Protections



RCCB

### GST Connectors

GST connectors for connecting to professional devices.



Male & Female GST input/output



Male GST input



Female GST output

### USB Charge module



Fast charging 2.4A module .

### Switches



pole 2 rocker switch

### Indication



Red led indication

### IEC Connectors

The IEC connectors can be assembled for Varsity of appliances and devices.



C19 16A



C13 10A

### Local Meter





# VERTE

## Vertical cable duct for adjustable desk

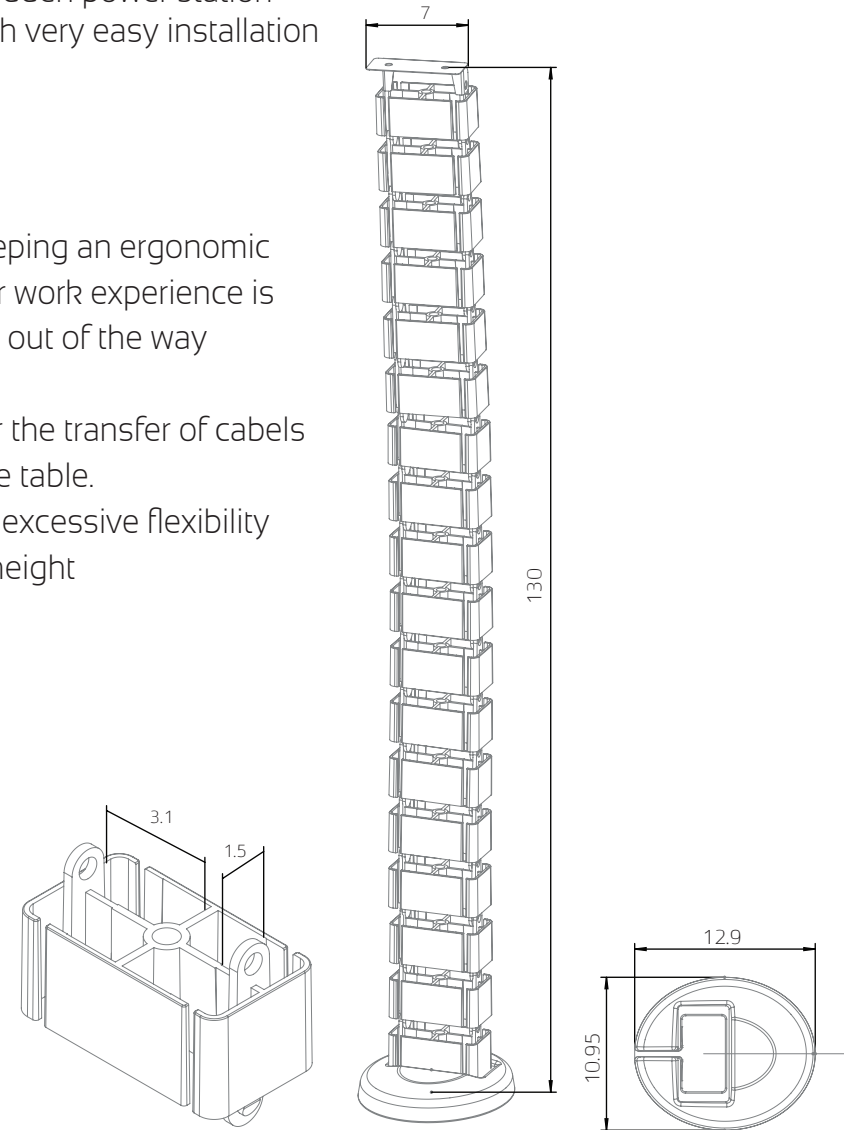
### Installation configurations:

#### Under Desk /Under Table

In any requirement of Hidden power station beneath the surface with very easy installation procedure.

STAY ORGANIZED - Keeping an ergonomic posture throughout your work experience is made easier with cables out of the way

- Provides a solution for the transfer of cables from floor to adjustable table.
- Links structure allows excessive flexibility when changing table height
- Fit for Max 8 cables.



### Structure & color:

Flush, solid and durable structure VERTE is reliable unit with long life expectation. VERTE is available in Silver anodized complete cover with black sockets.  
Custom colors available on demand – minimum order will be required.  
Materials: cover - PC, Base - PC+ Iron (weight)

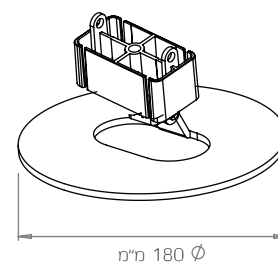
**Testing:** 100% testing continuity, polarity, insulation & earth

**Warranty:** 3 years

**Installation:** electric screwdriver required, please read the installation instruction prior to installation.

**Packing:** each item in a box

You can add wide base



VERTE

Catalog No	Model	Description	Color	length cm	Diameter mm
0727363257499	VCA-W	Vertical cable duct for adjustable desk	White	130	
0727363257505	VCA-B	Vertical cable duct for adjustable desk	Black	130	
0727363257512	VCA-S	Vertical cable duct for adjustable desk	Silver	130	
0769978901800	WBV-W	Wide Base for Vertical cable duct	White		18
0769978901862	WBV-B	Wide Base for Vertical cable duct	Black		18
0769978901893	WBV-S	Wide Base for Vertical cable duct	Silver		18

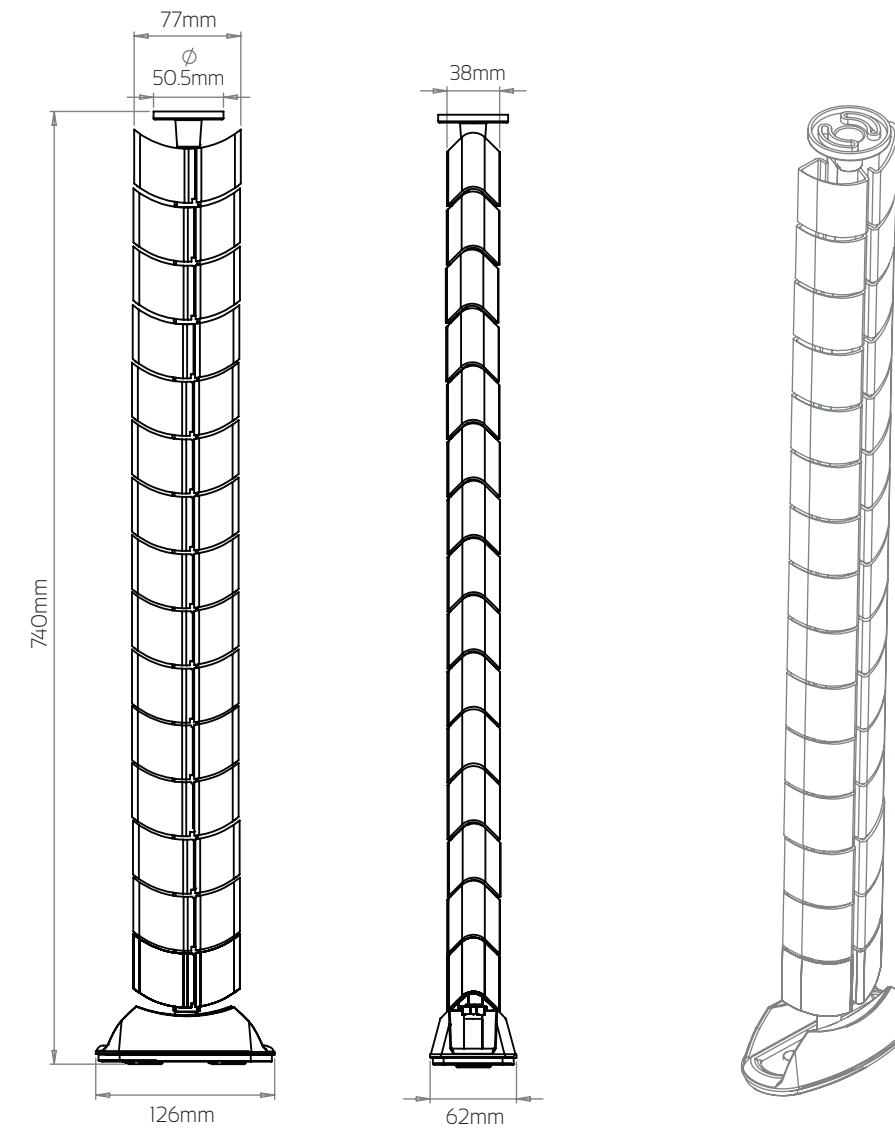
# NATRIX

## Vertical cable duct

### Installation configurations:

#### Under Desk /Under Table

In any requirement of Hidden power station beneath the surface with very easy installation procedure.



### Structure & color:

Flush, solid and durable structure, you will find NATRIX is reliable unit with long life expectation. NATRIX is available in Silver anodized complete cover with black sockets. Custom colors available on demand – minimum order will be required.  
Materials: cover - aluminium, sockets - PC.

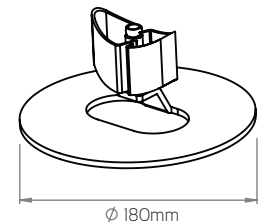
**Testing:** 100% testing continuity, polarity, insulation & earth

**Warranty:** 3 years Warranty by German registered company

**Installation:** electric screwdriver required, please read the installation instruction prior to installation.

**Packing:** each item in a box

You can add wide base



Catalog No	Model	Description	Color	Height mm	Diameter mm	Quantity in carton
0726811932049	VC-W	Vertical cable duct NATRIX White	White	70		15
0726811932056	VC-B	Vertical cable duct NATRIX Black	Black	70		15
0726811932063	VC-S	Vertical cable duct NATRIX Silver	Silver	70		15
0769978901800	WBV-W	Wide Base for Vertical cable duct NATRIX White	White		18	
0769978901862	WBV-B	Wide Base for Vertical cable duct NATRIX Black	Black		18	
0769978901893	WBV-S	Wide Base for Vertical cable duct NATRIX Silver	Silver		18	





## Innera Accesso

Panel cover with soft close hinge

### Installation configurations:

In Desk /In Table

it mainly being placed in meeting room table, conference tables, desk and fine surfaces.

soft close hinge

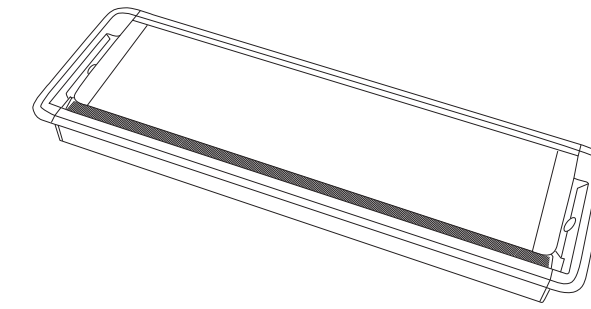
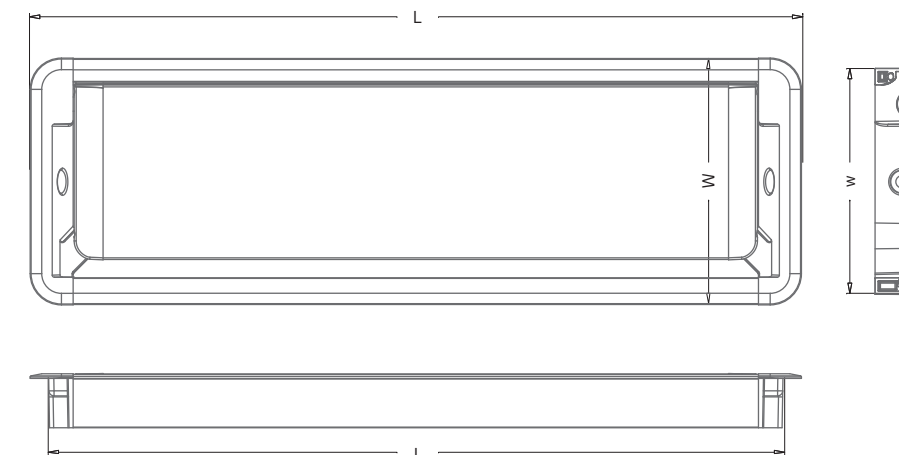


illustration: model IA-375



### Best Seller items of Innera Accesso series:

Catalog No	Model	Color	Length (L) mm	Width (W) mm	Cutting Length (l) mm	Cutting Width (w) mm
0769978899008	IA-120	Silver	120	120	105	112
0769978898995	IA-120	White	120	120	105	112
0769978899015	IA-120	Black	120	120	105	112
0726811931981	IA-225	Silver	225	120	210	112
0726811931950	IA-225	White	225	120	210	112
0726811931899	IA-225	Black	225	120	210	112
0726811931998	IA-300	Silver	300	120	285	112
0726811931967	IA-300	White	300	120	285	112
0726811931905	IA-300	Black	300	120	285	112
0726811932001	IA-375	Silver	375	120	360	112
0726811931974	IA-375	White	375	120	360	112
0726811931912	IA-375	Black	375	120	360	112

### Structure & color:

Flush, solid and durable structure, you will find Innera Accesso is reliable unit with long life expectation. Innera Accesso is available in Silver anodized complete cover with black sockets. Custom colors available on demand minimum order will be required. Materials: cover - aluminium, sockets - PC.

**Testing:** 100% testing continuity, polarity, insulation & earth

**Warranty:** 3 years Warranty by German registered company

**Installation:** electric screwdriver, Power drill required, please read the installation instruction prior to installation.

**Packing:** each item in a box



Innera Accesso IA-120



Innera Accesso IA-225



Innera Accesso IA-300



Innera Accesso IA-375





## PAVIX

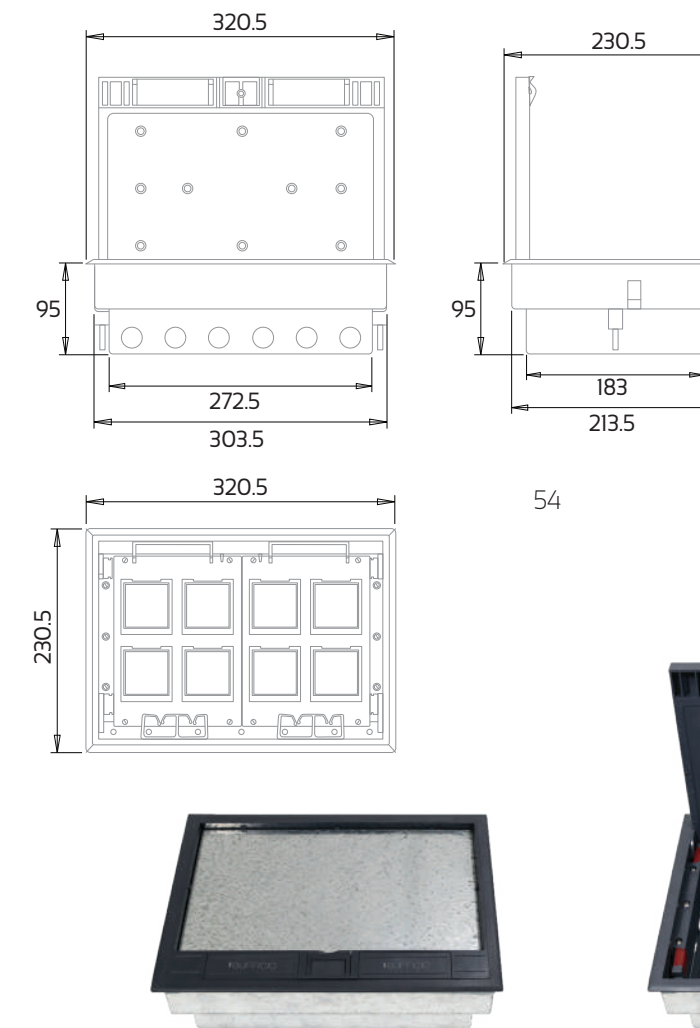
### Floor Box

- Floor Box lid enable incorporating tile / carpet / wooden floor up to 7.5mm thick.
- Top lid can be easily remove for easy maintenance (can change opening direction).
- Protected cable output in lid close state .
- Include 45x45mm module adapter for Legrand module or equal.
- Separation between modules (power / network) areas.
- Can order installation box for concrete floors.
- Adjustable\* module height .

### Installation configurations:

Suitable for installation in professional floors and concrete floors.

illustration: model EFB-16M



### Structure & color:

PAVIX is a unique solution with high grade properties, promising long life expectation. PAVIX is gray mat.  
Materials: ABS, galvanised steel.

### Modules & combination:

PAVIX comes with several sizes see table.

QC: 100%

Warranty: 3 years Warranty.

Packing: each item in a box



\* Pictures for illustration purposes only

Catalog No	Model	Description	Color	Length (L) mm	Width (W) mm	Height (H) mm
0727363259257	EFB-8M	Floor box for 8 moduls 22.5x45mm	Gray	169	141.5	74 ~ 102
0727363259264	EFB-12M	Floor box for 12 moduls 22.5x45mm	Gray	245	225	74 ~ 102
0727363259271	EFB-16M	Floor box for 16 moduls 22.5x45mm	Gray	320.5	230.5	95
11111101	GI	IL Socket 45x45mm	White	44.8	44.8	—
11111101	4597IS	Double keystone modul 45x45mm	White	44.8	44.8	—

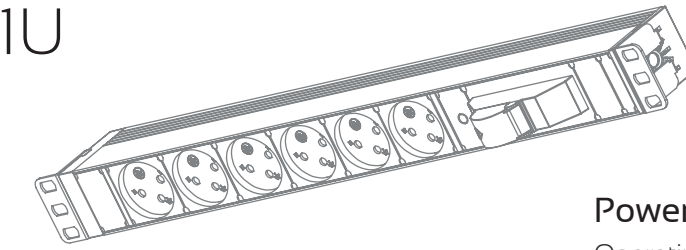




## Power Distribution Unit - 1U

### Installation configurations:

The 19" - 1U PDU's designed for installation in server and cabling racks



EP6ILM



EP6ILR



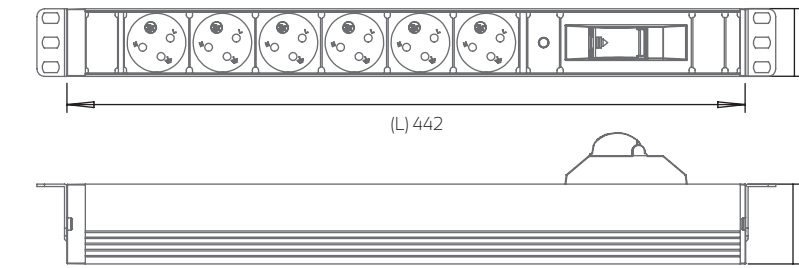
EP9IL



EP6CI9M



EP12CI3M



### Power & Temperature:

Operating voltage: 250VAC 50VHz  
Maximum current: 16A  
Work Temperature: up to 70°C

### Structure & color:

Solid and durable structure, you will find eufficio PDU reliable unit with long life expectation.  
Materials: housing - aluminium, sockets - PC.

### Modules & combination:

The eufficio PDU can be configured with MCB/RCCB/C13/C19/indication led

### Cable and connection to power:

The eufficio PDU Has Built in input cable (H05VV-F) with israeli plug/CEE plug

**Testing:** 100% testing continuity, polarity, insulation & earth

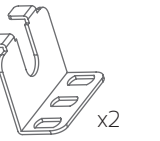
**Certification:** SII test certification

**Warranty:** 3 years Warranty

**Installation:**

supplied with installation brackets for attaching to rack in various angels.

**Packing:** each item in a box



\* Pictures for illustration purposes only

Catalog No	Model	Output receptacles	Input plug type	Cord Type	Cord length	Protection	Led Indication
0726811930694	EP6ILM	6 x IL	IL	3X1.5mm <sup>2</sup>	3m	MCB	✓
0726811930755	EP6ILM	6 x IL	CEE	3X2.5mm <sup>2</sup>	5m	MCB	✓
0726811930717	EP9IL	6 x IL	IL	3X1.5mm <sup>2</sup>	3m	RCCB	✓
0726811930724	EP9IL	9 x IL	IL	3X1.5mm <sup>2</sup>	5m	—	—
0726811930731	EP6ILR	9 x IL	IL	3X1.5mm <sup>2</sup>	3m	—	—
0726811930809	EP12CI3M	12x C13	IL	3X1.5mm <sup>2</sup>	3m	MCB	✓
0727363257406	EP12CI3M	12x C13	CEE	3X2.5mm <sup>2</sup>	5m	MCB	✓
0727363257420	EP12CI3M	12x C13	CEE	3X2.5mm <sup>2</sup>	5m	MCB	✓
0727363259042	EP12CI3M	12x C13	C14	3X1.5mm <sup>2</sup>	3m	MCB	✓
0726811930779	EP6CI9M	6 x C19	IL	3X1.5mm <sup>2</sup>	3m	MCB	✓
0727363257819	EP6CI9M	6 x C19	CEE	3X1.5mm <sup>2</sup>	5m	MCB	✓



# eUFFICIO

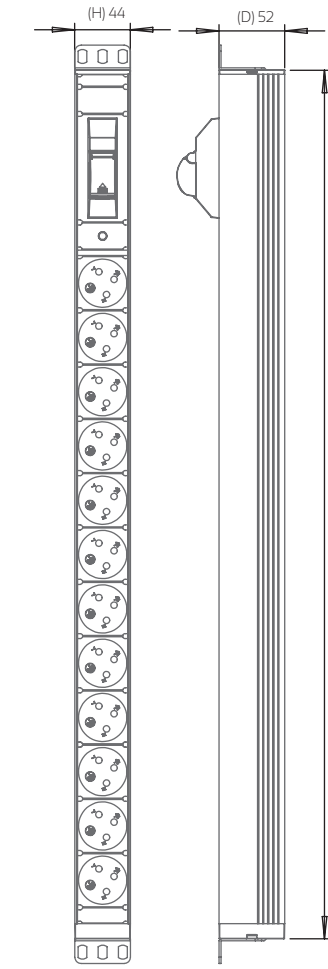
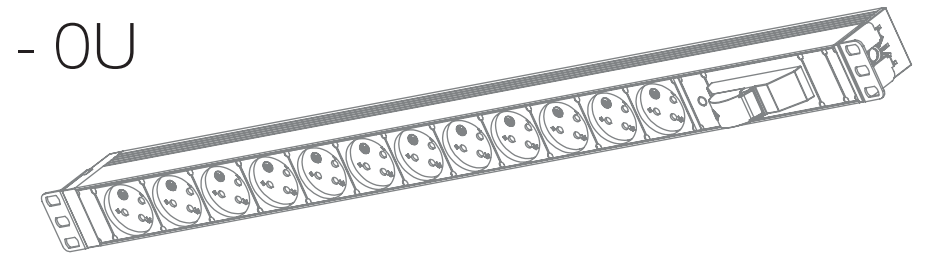
Design & Electric



## Power Distribution Unit - 0U

### Installation configurations:

The PDU's designed for installation in server and cabling racks



### Power & Temperature:

Operating voltage: 250VAC 50VHz  
 Maximum current: 16A  
 Work Temperature: up to 70°C

### Structure & color:

Solid and durable structure, you will find eufficio PDU reliable unit with long life expectation.  
 Materials: housing - aluminium, sockets - PC.

### Modules & combination:

The eufficio PDU can be configured with MCB/RCCB/C13/C19/indication led

### Cable and connection to power:

The eufficio PDU Has Built in input cable (HO5VV-F) with israeli plug/CEE plug

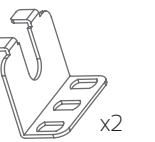
**Testing:** 100% testing continuity, polarity, insulation & earth

**Certification:** SII test certification

**Warranty:** 3 years Warranty

**Installation:** supplied with installation brackets for attaching to rack in various angles.

**Packing:** each item in a box



\* Pictures for illustration purposes only

Catalog No	Model	Output receptacles	Input plug type	Cord Type	Cord length	Protection	Led Indication
0726811930700	EPI2ILM	12 x IL	IL	3X1.5mm <sup>2</sup>	5M	MCB	✓
0726811930762	EPI2ILM	12 x IL	CEE	3X2.5mm <sup>2</sup>	5M	MCB	✓
0769978897738	EPI2ILR	12 x IL	IL	3X1.5mm <sup>2</sup>	5M	RCCB	✓
0726811930748	EPI2IL	12 x IL	IL	3X1.5mm <sup>2</sup>	5M	—	—
0726811930786	EPI2IL	12 x IL	CEE	3X2.5mm <sup>2</sup>	5M	—	—
0726811930793	EP20CI3M	20x C13	IL	3X1.5mm <sup>2</sup>	5M	MCB	✓
0727363256911	EP20CI3M	20x C13	CEE	3X2.5mm <sup>2</sup>	5M	MCB	✓
0726811930816	EPI2CI34CI9M	12x C13  + 4x C19	CEE	3X2.5mm <sup>2</sup>	3M	MCB	✓





## Monitored PDU (Local)

### Installation configurations:

The 19" - 1U PDU's designed for installation in server and cabling racks

### Power & Temperature:

Operating voltage: 250VAC 50VHz  
Maximum current: 16A/32A  
Work Temperature: up to 70°C

### Local Meter:

Integrated module within the unit that gives an indication of the input voltage level and power consumption



### Testing: 100% testing

continuity, polarity, insulation & earth




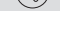





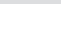



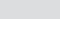





### Certification: SII test certification

### Warranty: 3 years Warranty

### Packing: each item in a box



\* Pictures for illustration purposes only

Catalog No	Model	Output receptacles	Input plug type	Cord Type	Cord length	Protection ABB	Product length
0727363258236	EP6ILMD	6 x IL 	IL	3X1.5mm <sup>2</sup>	3M	MCB	444mm
0727363258991	EP6ILMD	6 x IL 	CEE	3X2.5mm <sup>2</sup>	5M	MCB	444mm
0727363258243	EP8ILD	8 x IL 	IL	3X1.5mm <sup>2</sup>	3M	—	444mm
0727363258281	EP10C13MD	10x C13 	CEE	3X2.5mm <sup>2</sup>	5M	MCB	444mm
0727363258274	EP6C19MD	6x C19 	CEE	3X2.5mm <sup>2</sup>	5M	MCB	444mm
0727363259103	EP12C13MD	12x C13 	CEE	3X2.5mm <sup>2</sup>	3M	MCB	494mm
0727363258250	EP12ILMD	12 x IL 	IL	3X1.5mm <sup>2</sup>	5M	MCB	702mm
0727363259004	EP12ILMD	12 x IL 	CEE	3X2.5mm <sup>2</sup>	5M	MCB	702mm
0727363258304	EP12C134C19MD	12xC13  + 4xC19 	CEE	3X2.5mm <sup>2</sup>	5M	MCB	652mm
0727363258298	EP24ILMD	24 x IL 	CEE	3X2.5mm <sup>2</sup>	5M	MCB	1218mm
0727363258342	EPMIXILMD	20xC13  + 4xC19  + 4xIL 	CEE	3X4mm <sup>2</sup>	5M	MCB	1102mm
0727363258366	EP32A12ILMD	12 x IL 	CEE 3x32A	3X6mm <sup>2</sup>	5M	MCB	862mm
0727363258373	EP32A24ILMD	24 x IL 	CEE 3x32A	3X6mm <sup>2</sup>	5M	MCB	1387mm
0727363258359	EP32AMIXILMD	20xC13  + 4xC19  + 6xIL 	CEE 3x32A	3X6mm <sup>2</sup>	5M	MCB	1282mm





eUFFICIO

When Electric & Design emerge

